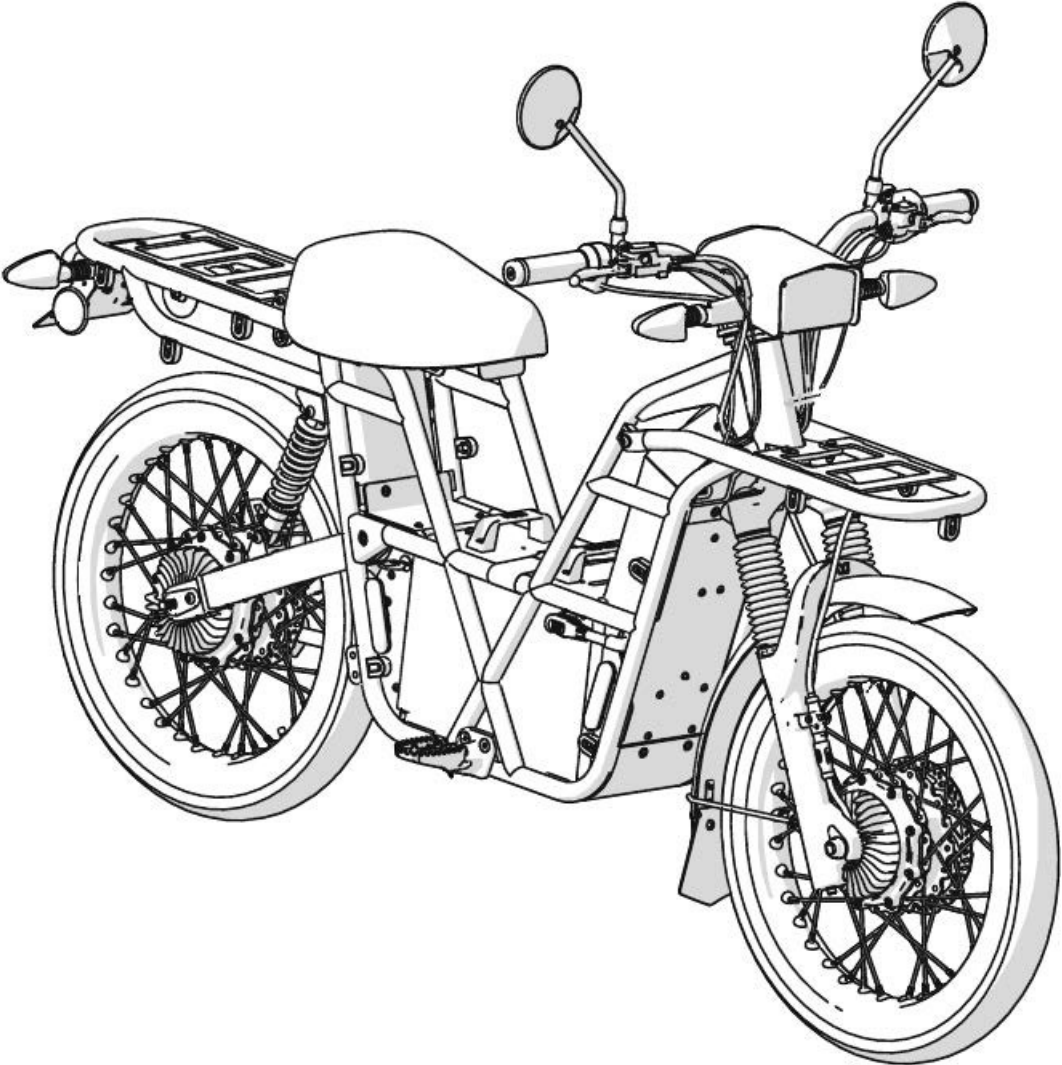


2X2 ADV – Parts Diagram

UBCO



2X2 ADV – Parts Diagram



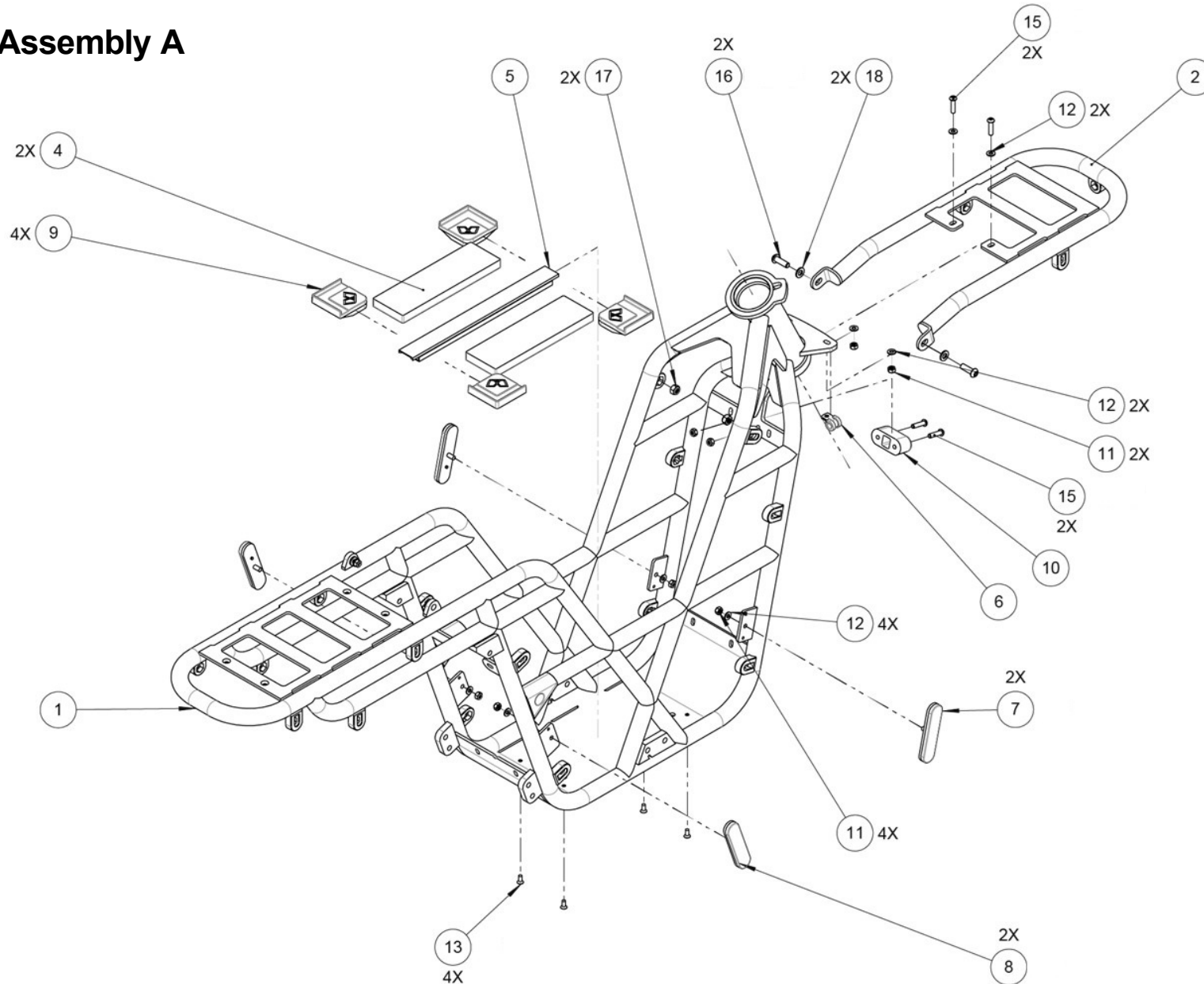
Contents

General Assembly A.....	3
General Assembly B	5
General Assembly C	7
General Assembly D	9
Front Console Assembly	11
Handlebar Assembly	13
Handlebar Stem Assembly	15
Handlebar Headlight Assembly.....	16
Handlebar Display Assembly	18
Handlebar Control Assembly	20
Handlebar Mirror Assembly.....	22
Kickstand Assembly	24
Seat Assembly.....	26
Swing Arm Assembly	28
Number Plate Holder Assembly	30
Rear Mudguard Assembly	32
Rear Console Assembly	34
Wheel Assembly.....	36
Fork Assembly	38
Fork Mudguard Assembly	40
Motor Assembly	42
Key Fob Assembly	44

2X2 ADV – Parts Diagram

UBCO

General Assembly A



2X2 ADV – Parts Diagram

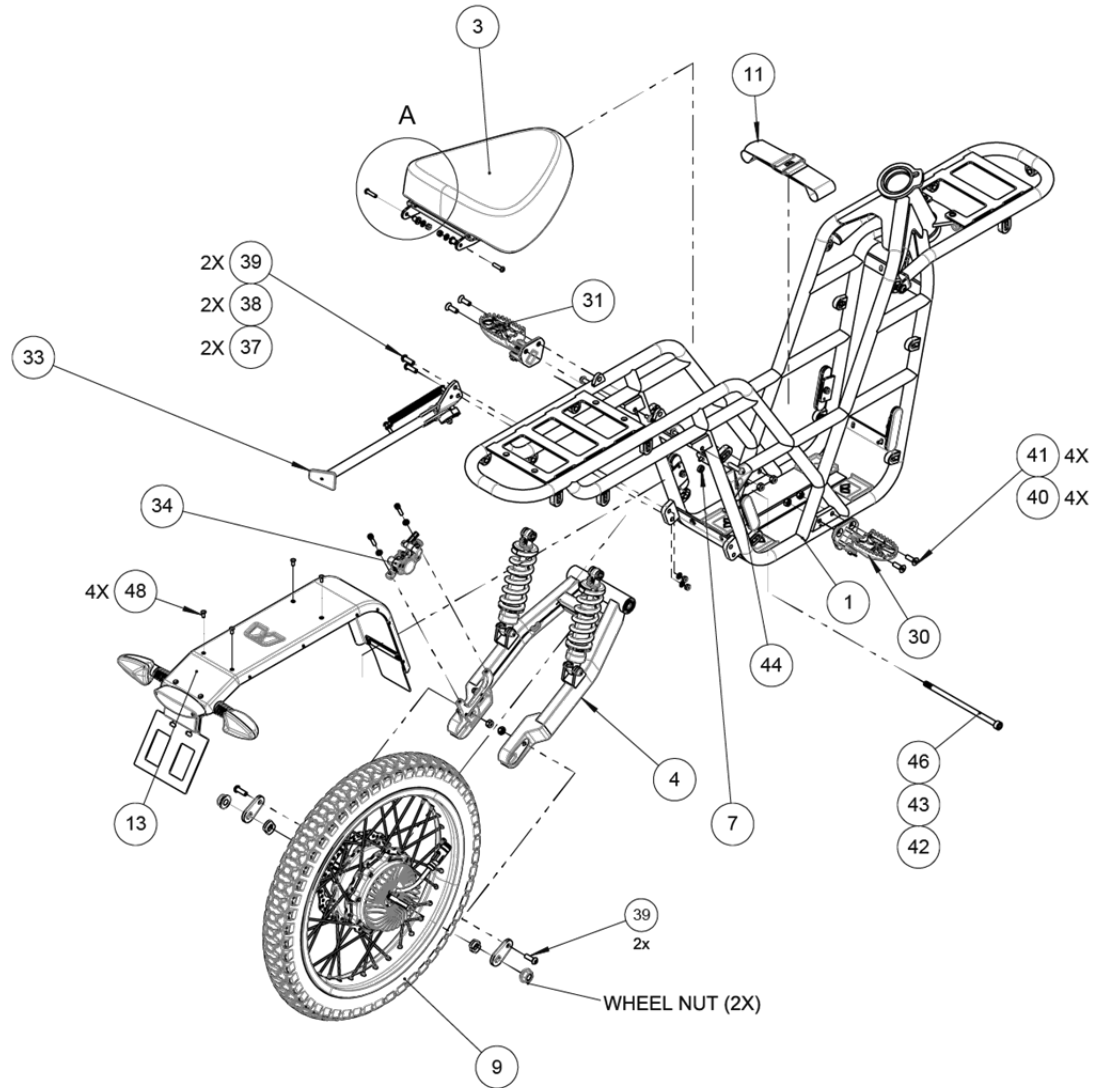
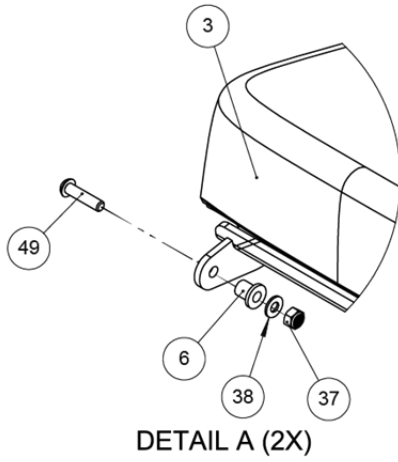


Balloon ID	Description	Part Number (OLD)	Part Number (NEW)
1	Frame G5 ADV White Frame G5 WRK Black Frame G5 ADV Black	2x2-FA-FRA-004 2x2-FA-FRA-005 2x2-FA-FRA-006	991-0001284 991-0001330 -
2	Carrier Front White Carrier Front Black	2x2-FA-FC-002 2x2-FA-FC-003	991-0001326 991-0001330
4	Battery Foam G5	2X2-FA-BF-003	419-0001282
5	Cable Duct G5	2X2-CBD-0-002	991-0001743
6	Clamp Motor Cable	2x2-FCB-0-001	452-0001314
7	Side Reflector Amber	2x2-RF-SRA-001	417-0001104
8	Side Reflector Red	2x2-RF-SRR-001	417-0001105
9	Battery Riser G5	2x2-FA-BRI-002	991-0001321
10	Stopper Fork	2x2-FS-0-002	417-0001323
11	M6 Nyloc Nut	FAS-NUT-NM6-001	-
12	M6 X 12.5 X 1.2 Washer	FAS-SW-6x12.5x1.2-001	-
13	M5 X 12 Torx Countersink	-	-
15	M6 X 25 Hex Button Head	FAS-HBH-M6L25-001	-
16	M8 X 30 Hex Button Head	FAS-HBH-M8L30-001	411-0002750
17	M8 Nyloc Nut	FAS-NUT-NM8-001	433-0001155
18	M8 Washer	FAS-SW-8x16x1.2-001	445-0003033

2X2 ADV – Parts Diagram

UBCO

General Assembly B



2X2 ADV – Parts Diagram

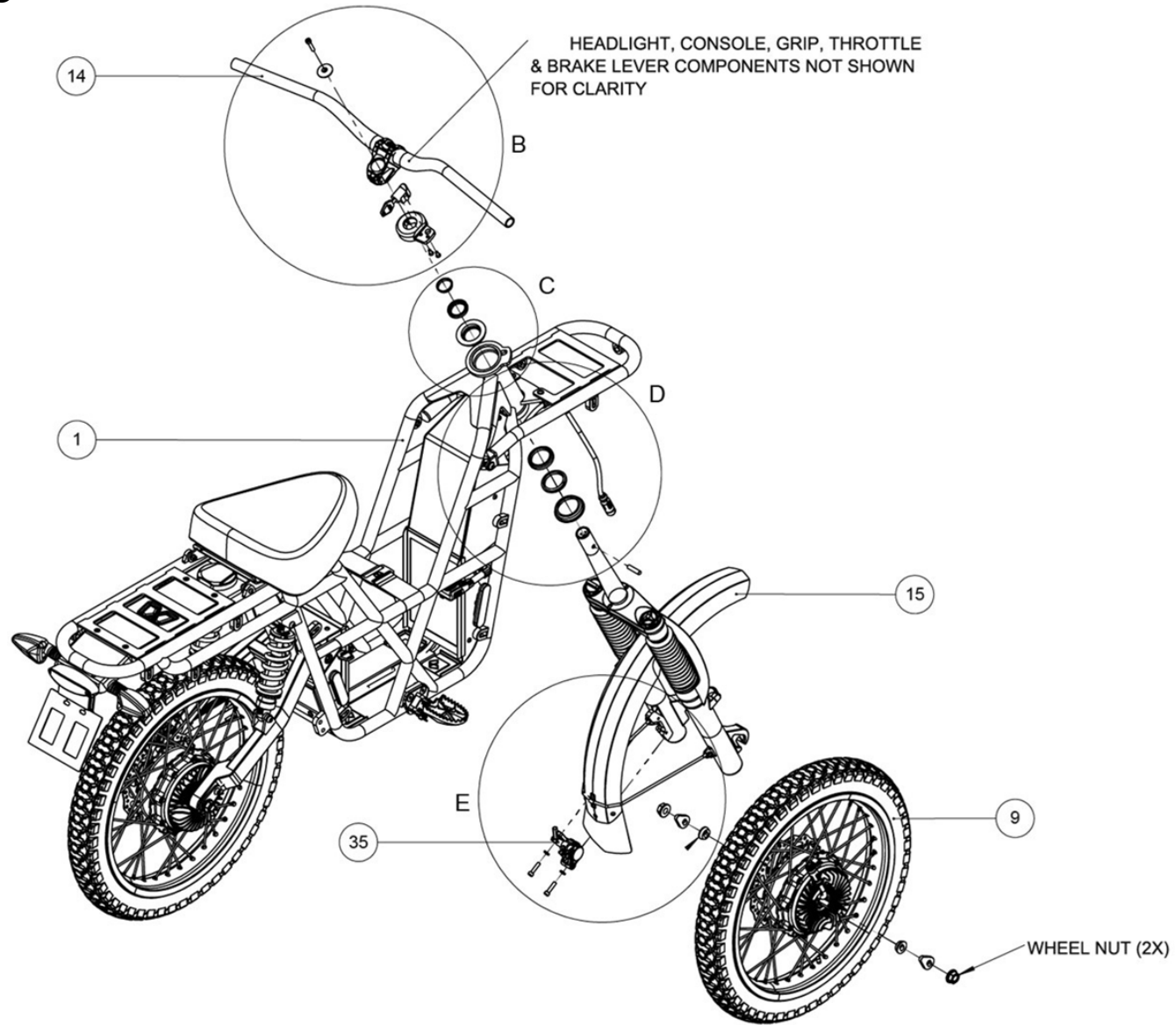


Balloon ID	Description	Part Number (OLD)	Part Number (NEW)
1	General Assembly A	-	-
3	Seat Assembly	-	-
4	Swing Arm Assembly	-	-
6 (A)	Seat Bush	2x2-FA-SBS-001	450-0001079
7	Spacer - Swing arm - 4.8 x 13OD x 10.5ID	2x2-FA-SASP-001	440-0003103
9	Rear Wheel Assembly	-	-
11	Battery Strap	BTR-BST-0-002	991-0001544
13	Rear Mudguard Assembly	-	-
30	Footpeg - Assembly - Right - G4.5/G5	2x2-FP-AR-002	991-0001329
31	Footpeg - Assembly - Left - G4.5/G5	2x2-FP-AL-002	991-0001328
30 + 31	Footpeg - Assembly - LH & RH - G5	2x2-FP-ASET-002	991-0003844
33	Kickstand Assembly (Switched)	2x2-FA-KLSW-001	991-0001340
34	Brake Unit Rear Tektro Brake Unit Rear SR Brake Unit Rear Sys 2	- 2x2-BR-RBU-007 2x2-BR-RBU-009	- 991-0003843 972-0003753
37 (A)	M6 Nyloc Nut	FAS-NUT-NM6-001	FAS-NUT-NM6-001
37	M8 X 30 Hex Button Head	FAS-HBH-M8L30-001	411-0002750
38 (A)	M6 X 12.5 X 1.2 Washer	FAS-SW-6x12.5x1.2-001	FAS-SW-6x12.5x1.2-001
38	M8 X 16 X 1.2 Washer	FAS-SW-8x16x1.2-001	445-0003033
39	M8 X 20 Hex Button Head	FAS-HBH-M8L20-001	FAS-HBH-M8L20-001
40	M8 X 25 Hex Countersink	FAS-HCH-M8L25-001	411-0001188
41	M8 Nyloc Nut	FAS-NUT-NM8-001	433-0001155
42	M10 X 20 X 1.8 Flat Washer	-	-
43	Swing Arm Bolt	FAS-HCA-M10L200-001	411-0001491
44	M6 X 8 X 34 Hex Barrel Nut	FAS-HBN-M6L34-001	433-0001152
46	M10 Nyloc Nut	-	-
48	M5 X 12 Torx Countersink	-	-
49 (A)	M6 X 25 Hex Button Head	FAS-HBH-M6L25-001	FAS-HBH-M6L25-001

2X2 ADV – Parts Diagram

UBCO

General Assembly C



2X2 ADV – Parts Diagram

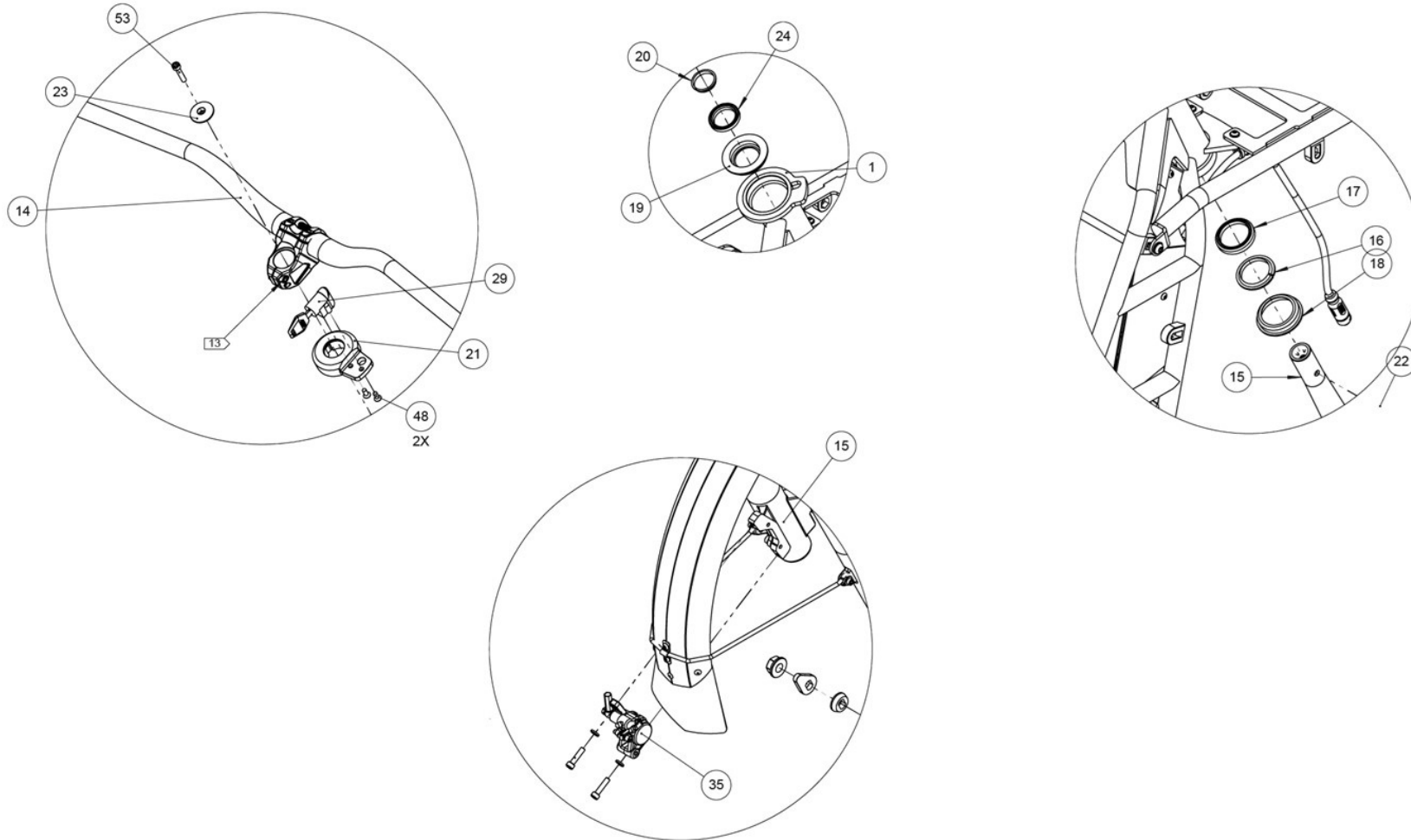


Balloon ID	Description	Part Number (OLD)	Part Number (NEW)
1	General Assembly B	-	-
9	Front Wheel Assembly	-	-
14	Handlebar Assembly ADV	-	-
15	Fork Mudguard Assembly	-	-
35	Brake Unit Front Tektro Brake Unit Front SR Brake Unit Front Sys 2	2x2-BR-FBU-005 2x2-BR-FBU-007 2x2-BR-FBU-009	2x2-BR-FBU-005 991-0003842 991-0003780

2X2 ADV – Parts Diagram

UBCO

General Assembly D



2X2 ADV – Parts Diagram

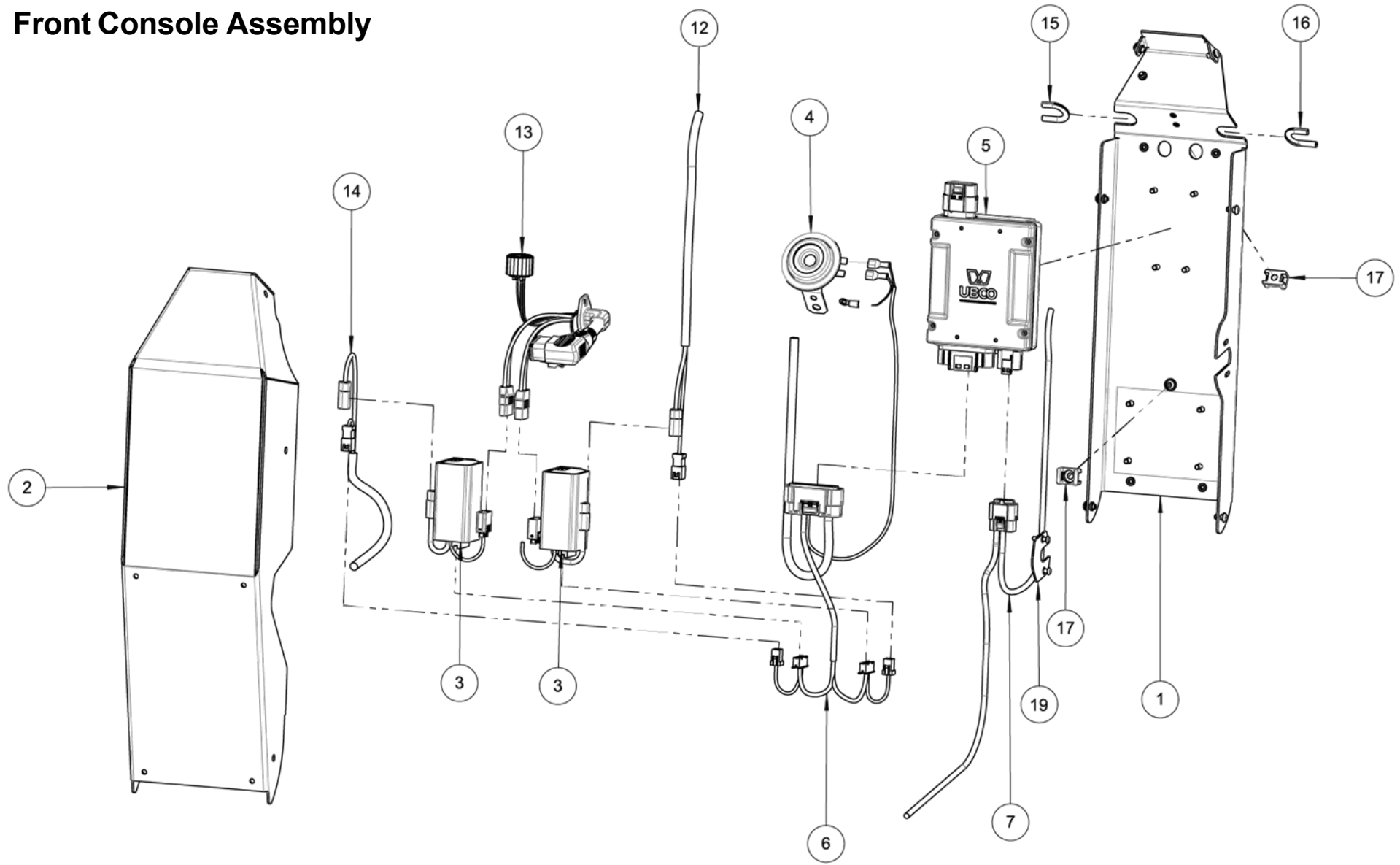


Balloon ID	Description	Part Number (OLD)	Part Number (NEW)
1	General Assembly B	-	-
14	Handlebar Assembly Adv	-	-
15	Front Fork Assembly	-	-
16	Headset Crown Race	2x2-HS-CR-002	415-0001494
17	Headset Bearing Bottom 6.5HX52X40.2X45X45 5G01	2x2-HS-BB-002	450-0001014
18	Headset Bearing Cup Bottom	2x2-HS-BCB-002	417-0001480
19	Headset Bearing Cup Top	2x2-HS-BCT-002	417-0001479
20	Headset Bearing Compression Ring	2x2-HS-BCR-002	446-0001022
21	Headset Bearing Top Cap Assembly	2x2-HS-BTC-002	415-0001051
22	Steerer Anti Spin Dowel	2x2-HS-SASD-001	456-0001057
23	Headset Cap	2x2-HS-TC-001	417-0001492
24	Headset Bearing Top 6D01 6.5HX41X30.2X36X45	2x2-HS-BT-002	450-0001015
29	Steering Lock	2x2-HS-STL-001	991-0003859
35	Brake Unit Front Tektro Brake Unit Front SR Brake Unit Front Sys 2	2x2-BR-FBU-005 2x2-BR-FBU-007 2x2-BR-FBU-009	2x2-BR-FBU-005 991-0003842 991-0003780
48	M5 X 12 Torx Countersink	-	-
53	M6 X 30 Hex Cap Head	2x2-HS-HSB-001	411-0001190

2X2 ADV – Parts Diagram

UBCO

Front Console Assembly



2X2 ADV – Parts Diagram

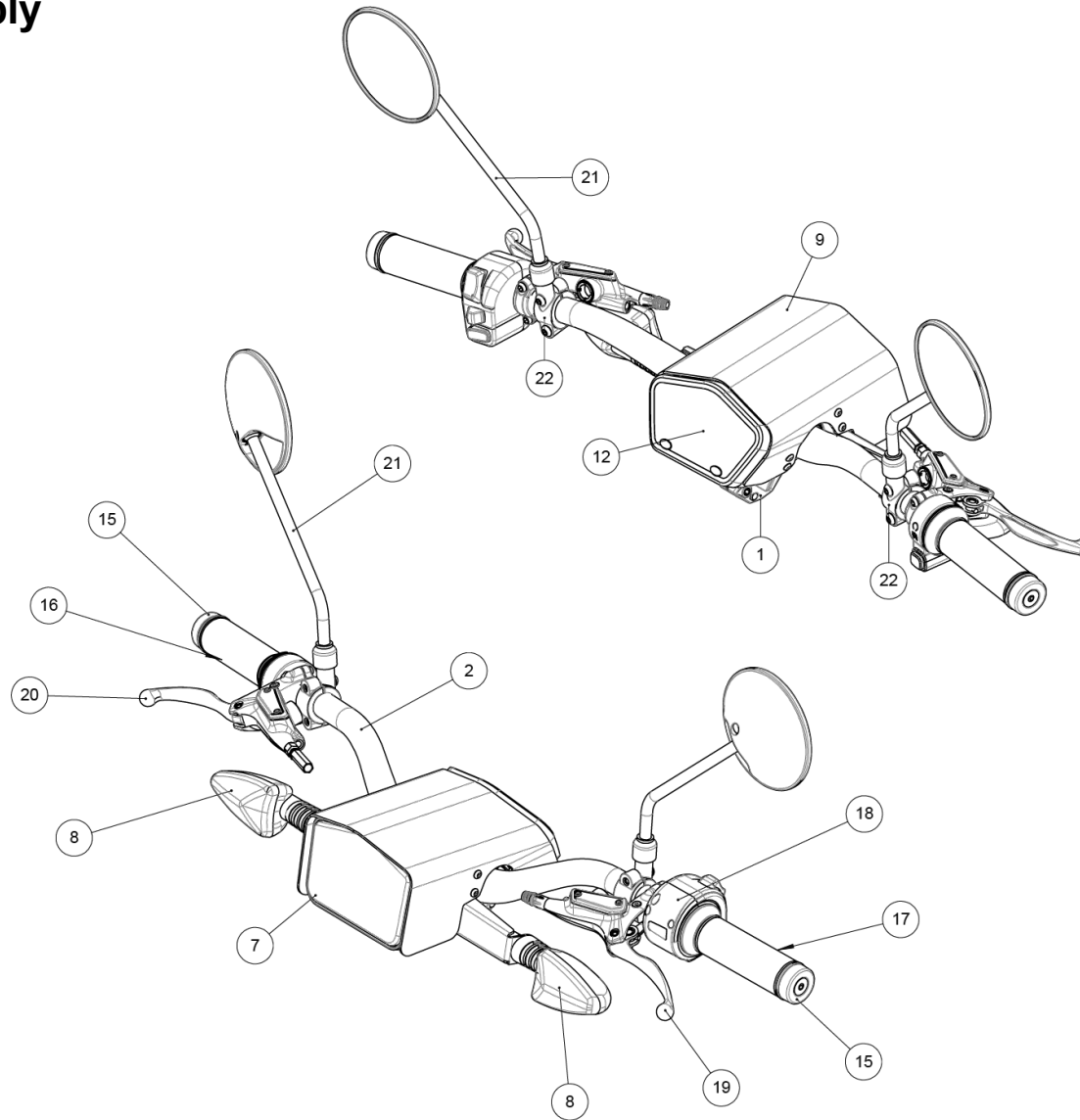


Balloon ID	Description	Part Number (OLD)	Part Number (NEW)
1	Front Console Base G5	2x2-FC-B-003	472-0001002
2	Front Console Cover G5	2x2-FC-C-003	472-0001019
3	Motor Controller BAC800 Motor Controller BAC855	2x2-CR-0-002 2x2-CR-0-003	991-0001033 991-0001960
4	Horn	2x2-EA-HRN-002	235-0001034
5	VMS Complete G5	2x2-EA-VMS-001	991-0001275
6	Main Harness G5	2x2-EL-MH-001	920-0001592
7	On Road Harness G5	2x2-EL-ORH-001	920-0001593
12	Motor Cable Front	2x2-EA-MC-003	241-0001550
13	Battery Plug Harness	BTR-BP-0-004	215-0001085
14	Motor Cable Rear	2x2-EA-MC-003	241-0001550
15	Front Console Edge Trim	2x2-CET-0-001	2x2-CET-0-001
16	Front Console Edge Trim	2x2-CET-0-001	2x2-CET-0-001
17	Screw Mount Cable Tie Mount	2x2-CTM-0-001	459-0001303
18	Forward Console Weather Seal	2x2-FC-WS-001	401-0001031
19	Battery Plug Slide Fastener Plate	-	-

2X2 ADV – Parts Diagram

UBCO

Handlebar Assembly



2X2 ADV – Parts Diagram

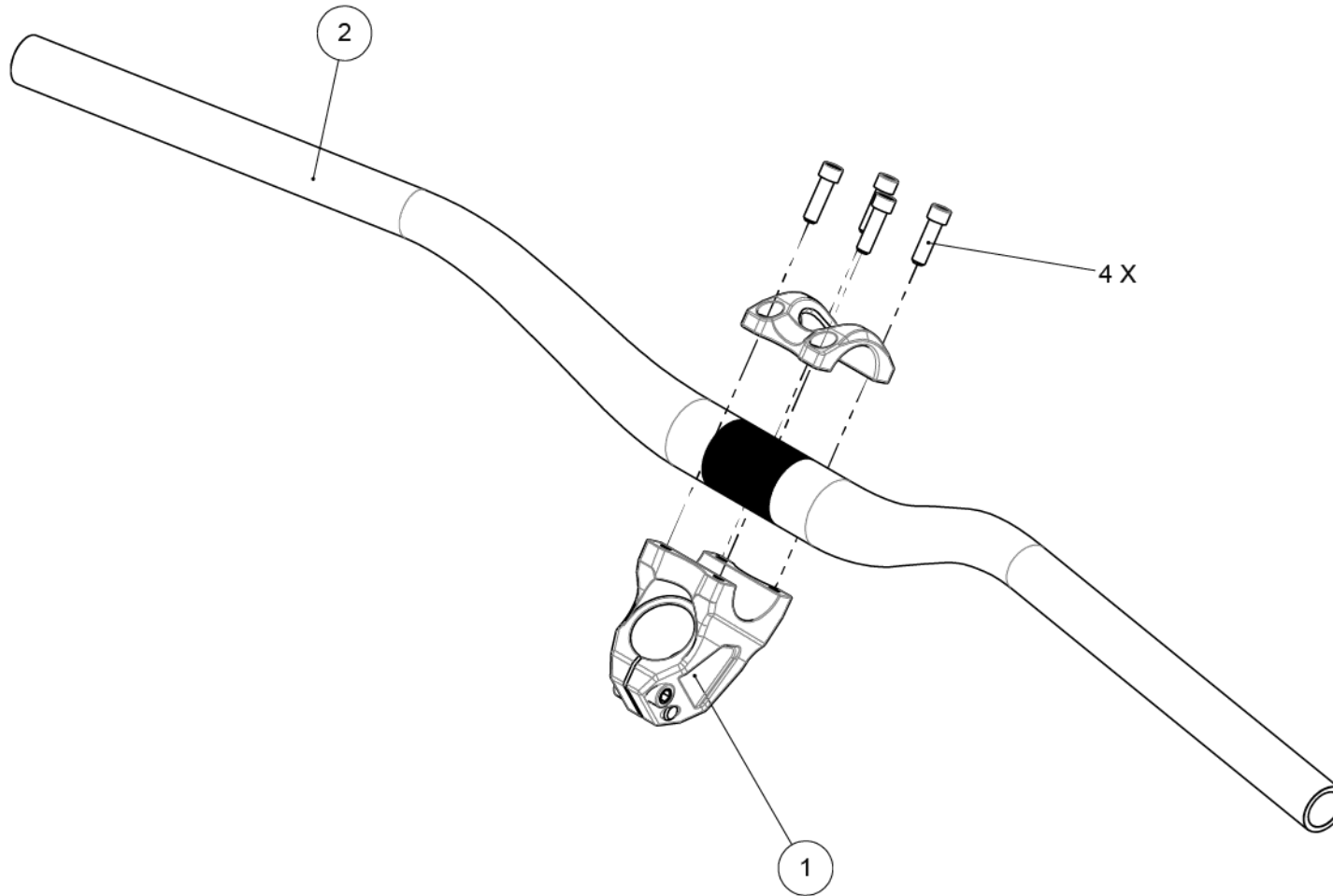


Balloon ID	Description	Part Number (OLD)	Part Number (NEW)
1	Stem Assembly	2x2-HB-STM-001	991-0001385
2	Handlebar 785mm	2x2-HB-BR-002	415-0001067
7	Headlight G5 ADV	2x2-EA-HL-003	991-0001540
8	Indicator G5	2x2-EA-DI-002	417-0001285
9	Headlight Cover G5 ADV	2x2-EA-HC-003	472-0001064
12	Display G5	2x2-EA-DSP-003	242-0001530
15	Bar End Cap	2x2-HB-CAP-001	415-0001356
16	Throttle Assembly	2x2-HB-EGRP-002	991-0003845
17	Grip	2x2-HB-LGR-003	417-0001504
18	Handlebar Control G5	2x2-EA-BC-002	991-0001503
19	Brake Lever Tektro LH & RH Brake Lever SR LH & RH	2x2-BR-HLR-001 2x2-BR-HLR-002	2x2-BR-HLR-001 415-0001548
20	Brake Lever Tektro LH & RH Brake Lever SR LH & RH	2x2-BR-HLR-001 2x2-BR-HLR-002	2x2-BR-HLR-001 415-0001548
21	Mirror G4/G4.5/G5 M10 Mirror Sys 2 M8	2x2-HB-MIR-001 2x2-HB-MIR-002	991-0001029 458-0001991
22	Mirror Mount	2x2-HB-MIRM-001	991-0001344

2X2 ADV – Parts Diagram

UBCO

Handlebar Stem Assembly

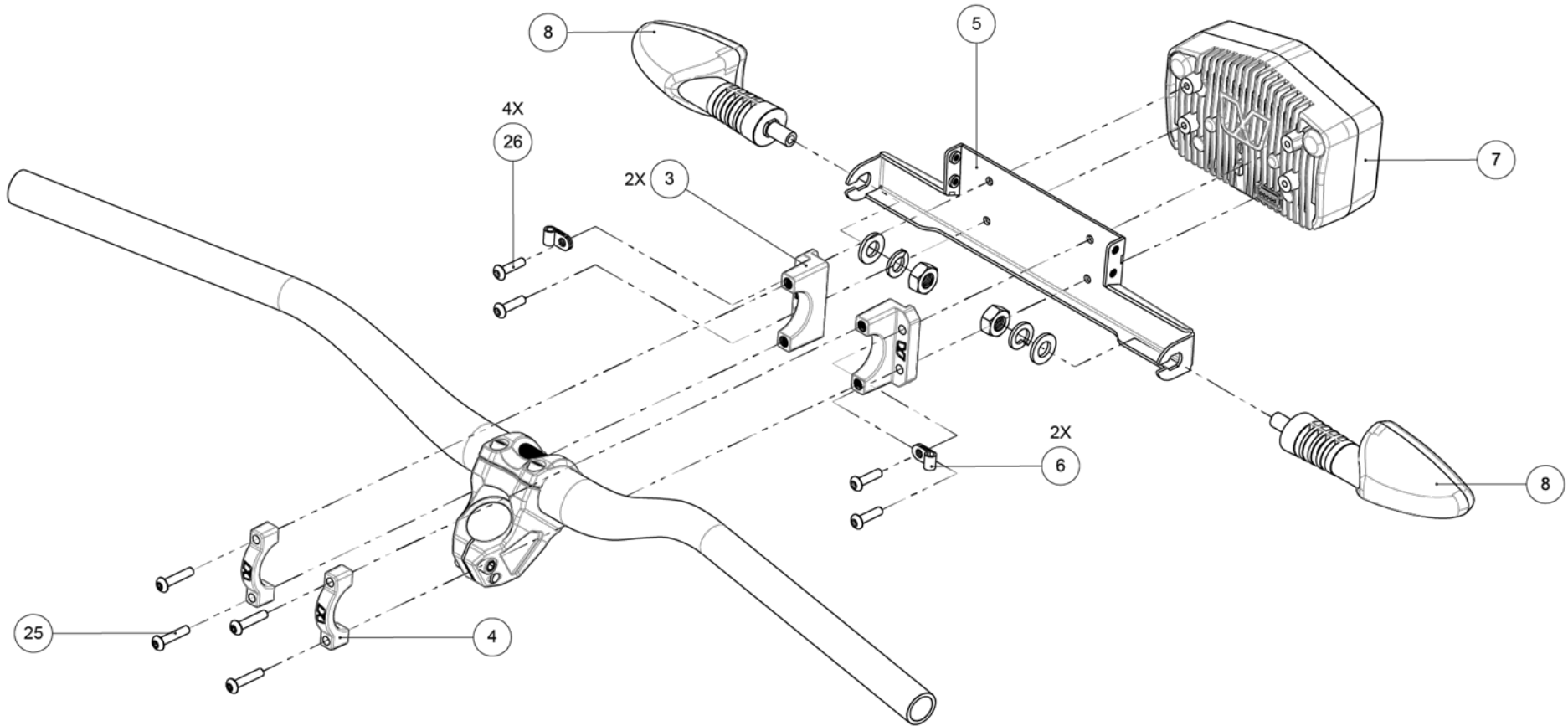


Balloon ID	Description	Part Number (OLD)	Part Number (NEW)
1	Stem Assembly	2x2-HB-STM-001	991-0001385
2	Handlebar 785mm	2x2-HB-BR-002	415-0001067

2X2 ADV – Parts Diagram

UBCO

Handlebar Headlight Assembly



2X2 ADV – Parts Diagram

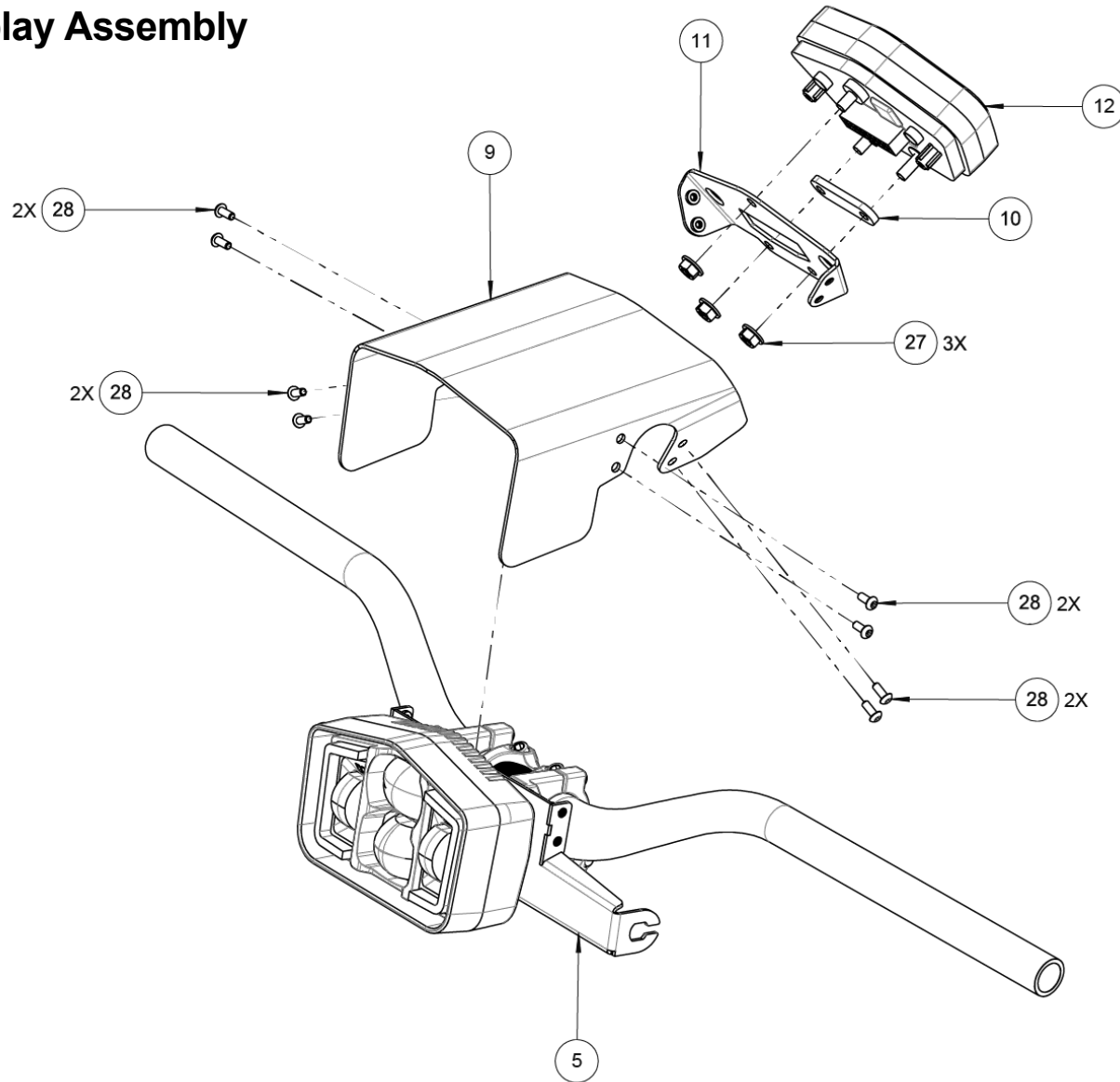


Balloon ID	Description	Part Number (OLD)	Part Number (NEW)
3	Headlight Clamp A	2x2-HB-HLCA-001	452-0001028
4	Headlight Clamp B	2x2-HB-HLCB-001	452-0001030
5	Headlight Bracket	2x2-EA-HB-001	991-0001072
6	Plastic P-Clip	-	-
7	Headlight G5 ADV	2x2-EA-HL-003	991-0001540
8	Indicator G5	2x2-EA-DI-002	417-0001285
25	M5 X 25 Hex Socket Cap Screw	FAS-HBH-M5L25-001	FAS-HBH-M5L25-001
26	M5 X 20 Button Head T25 Torx	-	-

2X2 ADV – Parts Diagram

UBCO

Handlebar Display Assembly



2X2 ADV – Parts Diagram

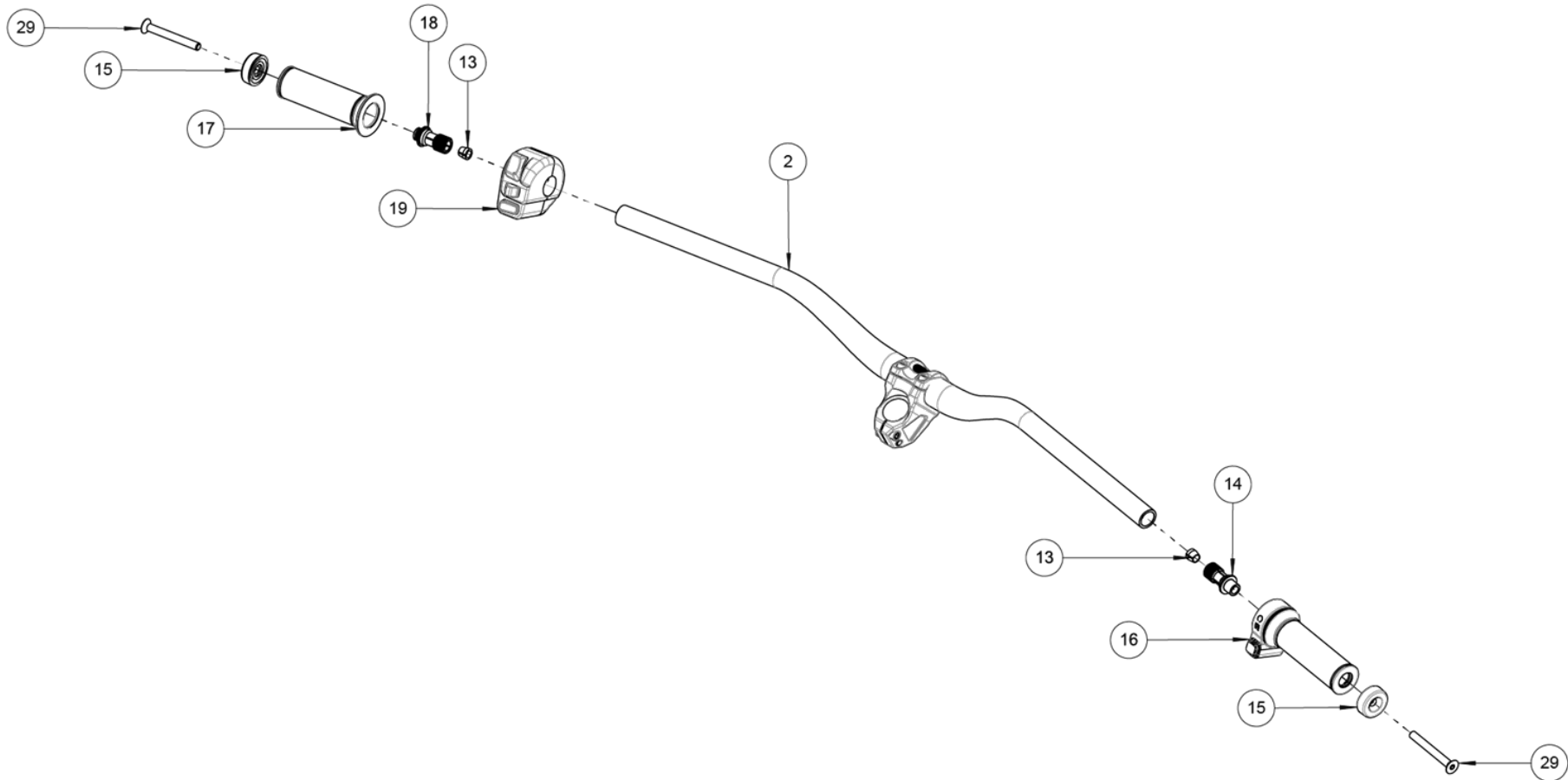
UBCO

Balloon ID	Description	Part Number (OLD)	Part Number (NEW)
5	Headlight Bracket	2x2-EA-HB-001	991-0001072
9	Headlight Cover	2x2-EA-HC-003	472-0001064
10	Display Spacer	2x2-EA-DS-001	440-0001065
11	Display Mount Bracket	2x2-EA-DMB-001	991-0001073
12	Display G5	2x2-EA-DSP-003	242-0001530
27	M6 X 1 Flange Nut	FAS-NUT-SFM6-001	433-0001143
28	M4 X 10mm Torx Button Head Screw	FAS-HCH-M4L10-001	411-0003862

2X2 ADV – Parts Diagram

UBCO

Handlebar Control Assembly



2X2 ADV – Parts Diagram

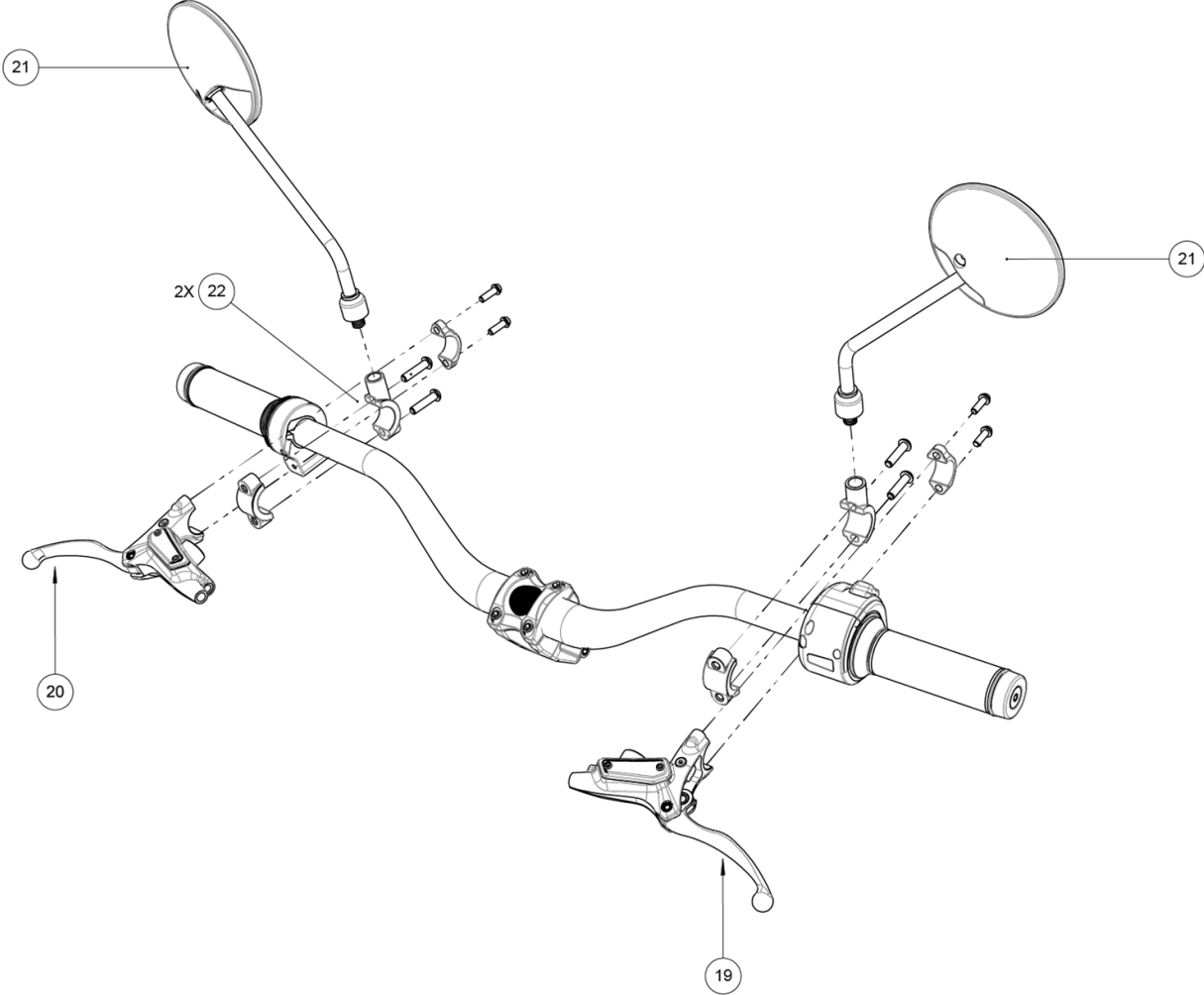


Balloon ID	Description	Part Number (OLD)	Part Number (NEW)
2	Handlebar 785mm	2x2-HB-BR-002	415-0001067
13	SP Nut	2x2-HB-BRN-001	433-0001166
14	RH Spreader Spacer	2x2-HB-SPR-001	415-0001502
15	Bar End Cap	2x2-HB-CAP-001	415-0001356
16	Throttle Assembly	2x2-HB-EGRP-002	991-0003845
17	Grip	2x2-HB-LGR-003	417-0001504
18	LH Spreader Spacer	2x2-HB-SPL-001	415-0001560
19	Handlebar Control G5	2x2-EA-BC-002	991-0001503
29	M8 X 70 Hex Countersink	-	-

2X2 ADV – Parts Diagram



Handlebar Mirror Assembly



2X2 ADV – Parts Diagram

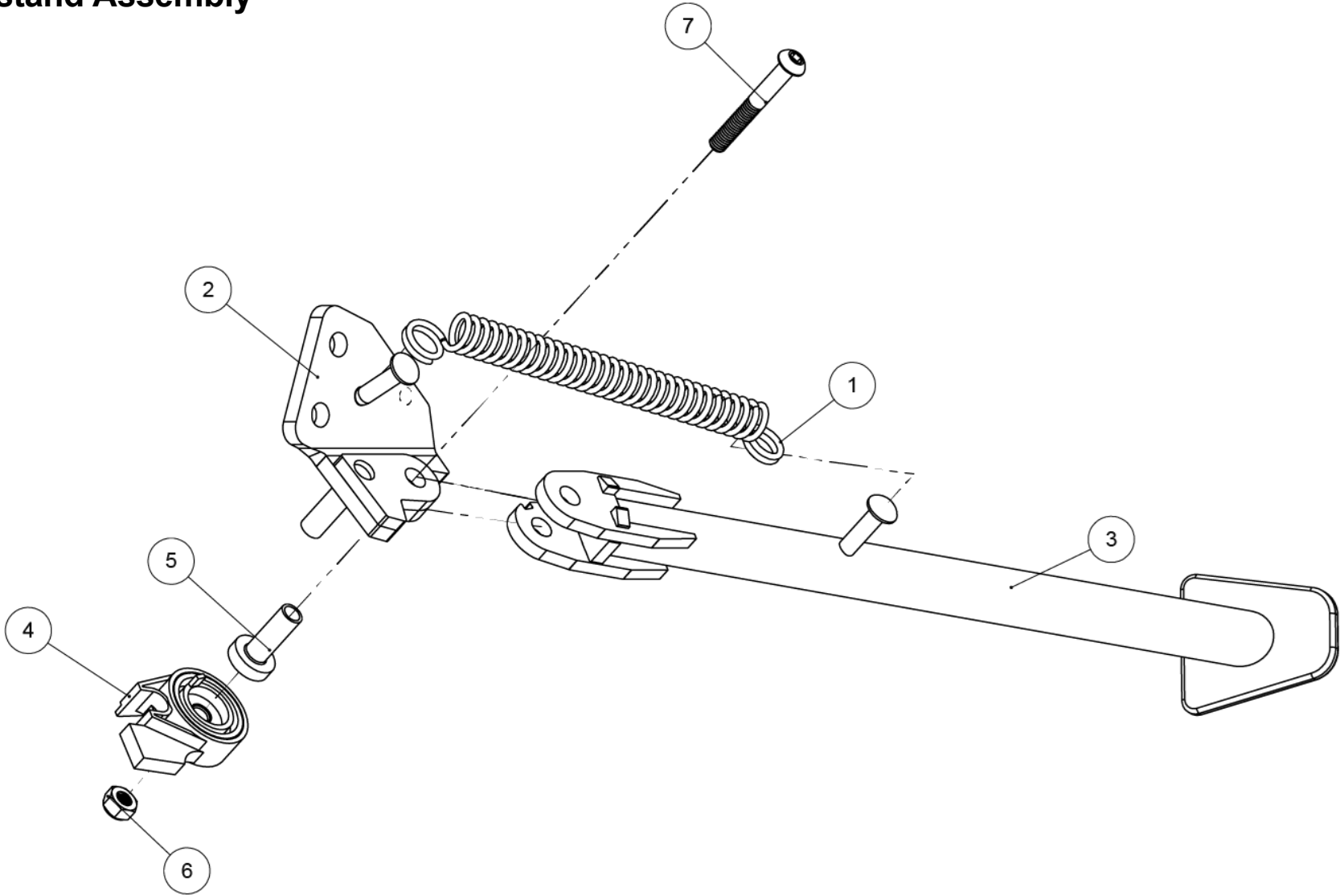


Balloon ID	Description	Part Number (OLD)	Part Number (NEW)
19	Brake Lever Tektro LH & RH Brake Lever SR LH & RH	2x2-BR-HLR-001 2x2-BR-HLR-002	2x2-BR-HLR-001 415-0001548
20	Brake Lever Tektro LH & RH Brake Lever SR LH & RH	2x2-BR-HLR-001 2x2-BR-HLR-002	2x2-BR-HLR-001 415-0001548
21	Mirror G4/G4.5/G5 M10 Mirror Sys 2 M8	2x2-HB-MIR-001 2x2-HB-MIR-002	991-0001029 458-0001991
22	Mirror Mount	2x2-HB-MIRM-001	991-0001344

2X2 ADV – Parts Diagram

UBCO

Kickstand Assembly



2X2 ADV – Parts Diagram

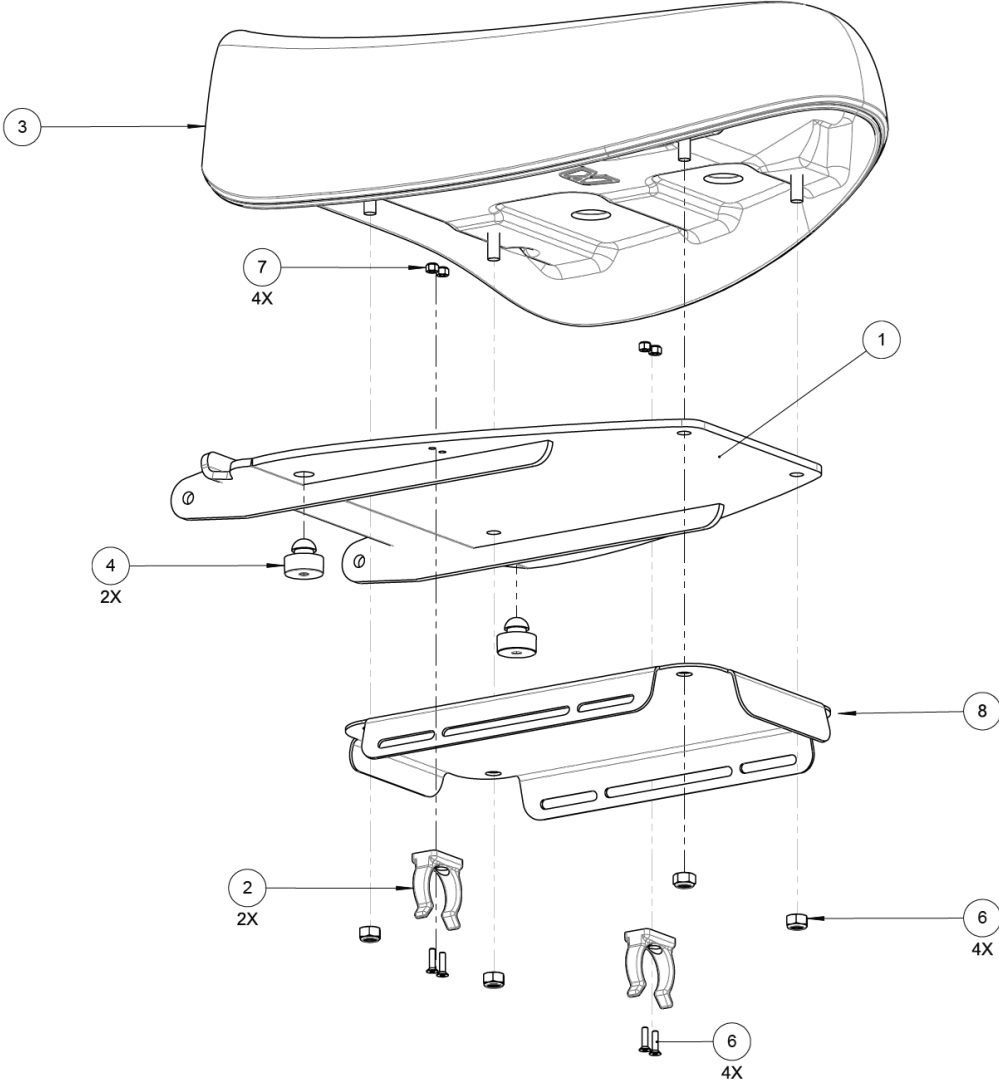


Balloon ID	Description	Part Number (OLD)	Part Number (NEW)
-	Kickstand Switched Assembly	2x2-FA-KLSW-001	991-0001340
1	Kickstand Extension Spring	2x2-FA-KSS-003	441-0001333
2	Kickstand Bracket	-	-
3	Kickstand	-	-
4	Kickstand Switch	2x2-FA-KSKS-001	920-0001589
5	Kickstand Spacer	-	-
6	M6 Nyloc Nut	FAS-NUT-NM6-001	FAS-NUT-NM6-001
7	M6 X 45 Button Head Cap Screw	-	-

2X2 ADV – Parts Diagram

UBCO

Seat Assembly



2X2 ADV – Parts Diagram

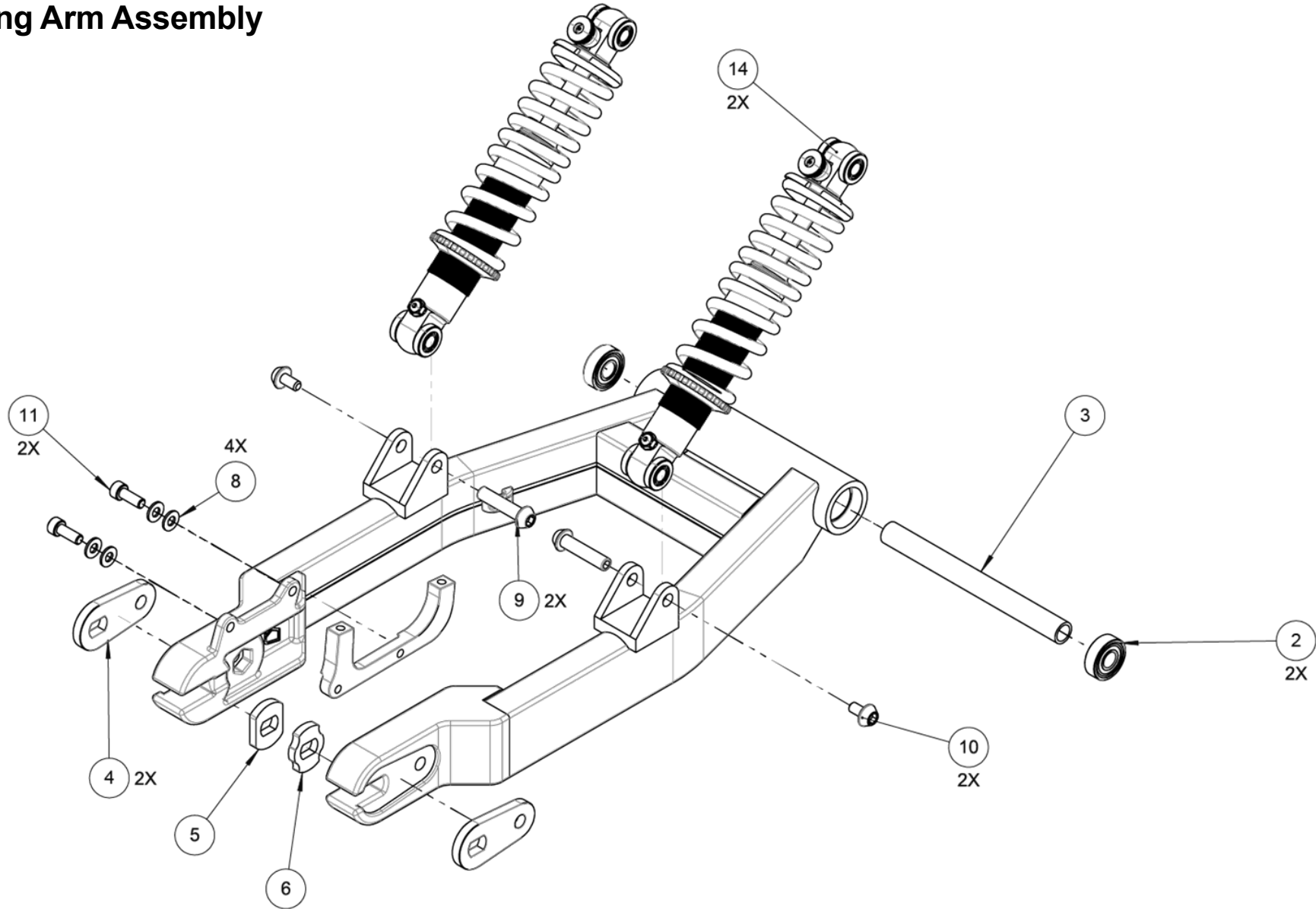


Balloon ID	Description	Part Number (OLD)	Part Number (NEW)
1	Seat Support	2x2-FA-SMP-002	472-0001020
2	Seat Clip	2x2-FA-SC-001	417-0001277
3	Seat	2x2-FA-ST-002	991-0001077
4	Rubber Bump Stop	2x2-FA-SB-002	2x2-FA-SB-002
6	M3 X 12 Hex CSK	FAS-HCH-M3L12-001	FAS-HCH-M3L12-001
6	M6 Nyloc Nut	FAS-NUT-NM6-001	FAS-NUT-NM6-001
7	M3 Nyloc Nut	-	-
8	Field Kit Mounting Plate G5	2x2-FK-Bracket	2x2-FK-Bracket

2X2 ADV – Parts Diagram

UBCO

Swing Arm Assembly



2X2 ADV – Parts Diagram

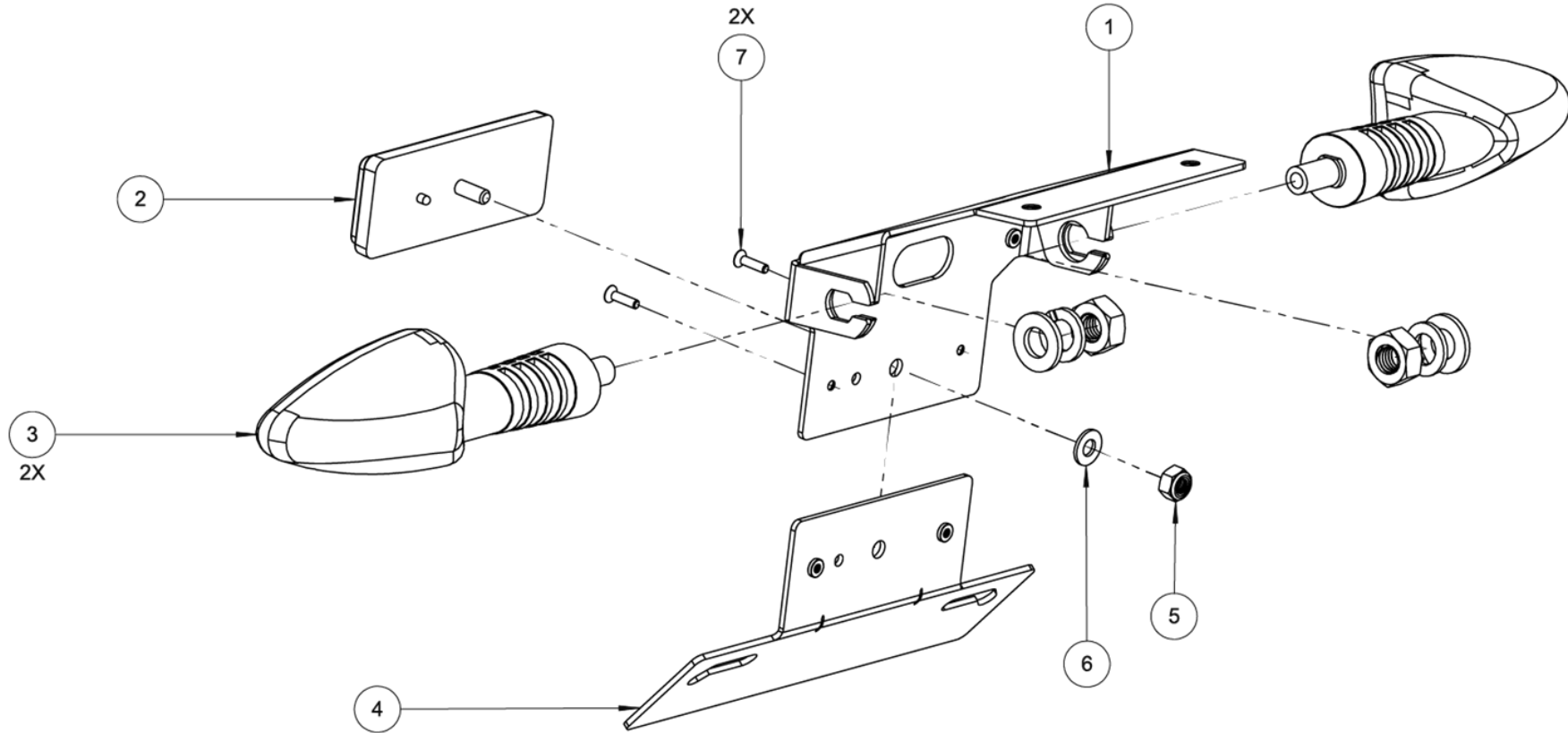


Balloon ID	Description	Part Number (OLD)	Part Number (NEW)
1	Swing Arm Tektro/SR Swing Arm Sys 2	2x2-FA-SA-002 2x2-FA-SA-003	2x2-FA-SA-002 991-0001776
2	Swing Arm Bearing 6000-2RS1	2x2-FA-SAB-001	450-0001674
3	Swing Arm Bearing Spacer 143 x 13OD x 10.5ID	2x2-FA-SABS-001	440-0001283
4	Swing Arm Torque Arm Button Head	2x2-FA-SATA-003	415-0001475
5	Rear Dropout Spacer Non-Vented Side	2x2-RWS-0-004	472-0001507
6	Rear Dropout Spacer Motor Vent Side	2x2-RWS-0-003	472-0001324
-	Rear Brake Adapter Tektro Rear Brake Adapter SR Rear Brake Adapter Sys 2	2x2-BR-RBA-002 2x2-BR-RBA-004 2x2-BR-RBA-005	2x2-BR-RBA-002 2x2-BR-RBA-004 2x2-BR-RBA-005
8	M6 X 12.5 X 1.2	FAS-SW-6x12.5x1.2-001	FAS-SW-6x12.5x1.2-001
9	M6 X 8 X 34 Hex Barrel Nut	FAS-HBN-M6L34-001	433-0001152
10	M6 Hex Barrel Nut Screw	FAS-HBNS-M6-001	433-0001154
11	M6 X 16 Hex Cap Head	FAS-HCA-M6L16-001	411-0001184
14	Rear Shock 210mm	2x2-FA-RS-003	991-0001394

2X2 ADV – Parts Diagram

UBCO

Number Plate Holder Assembly



2X2 ADV – Parts Diagram

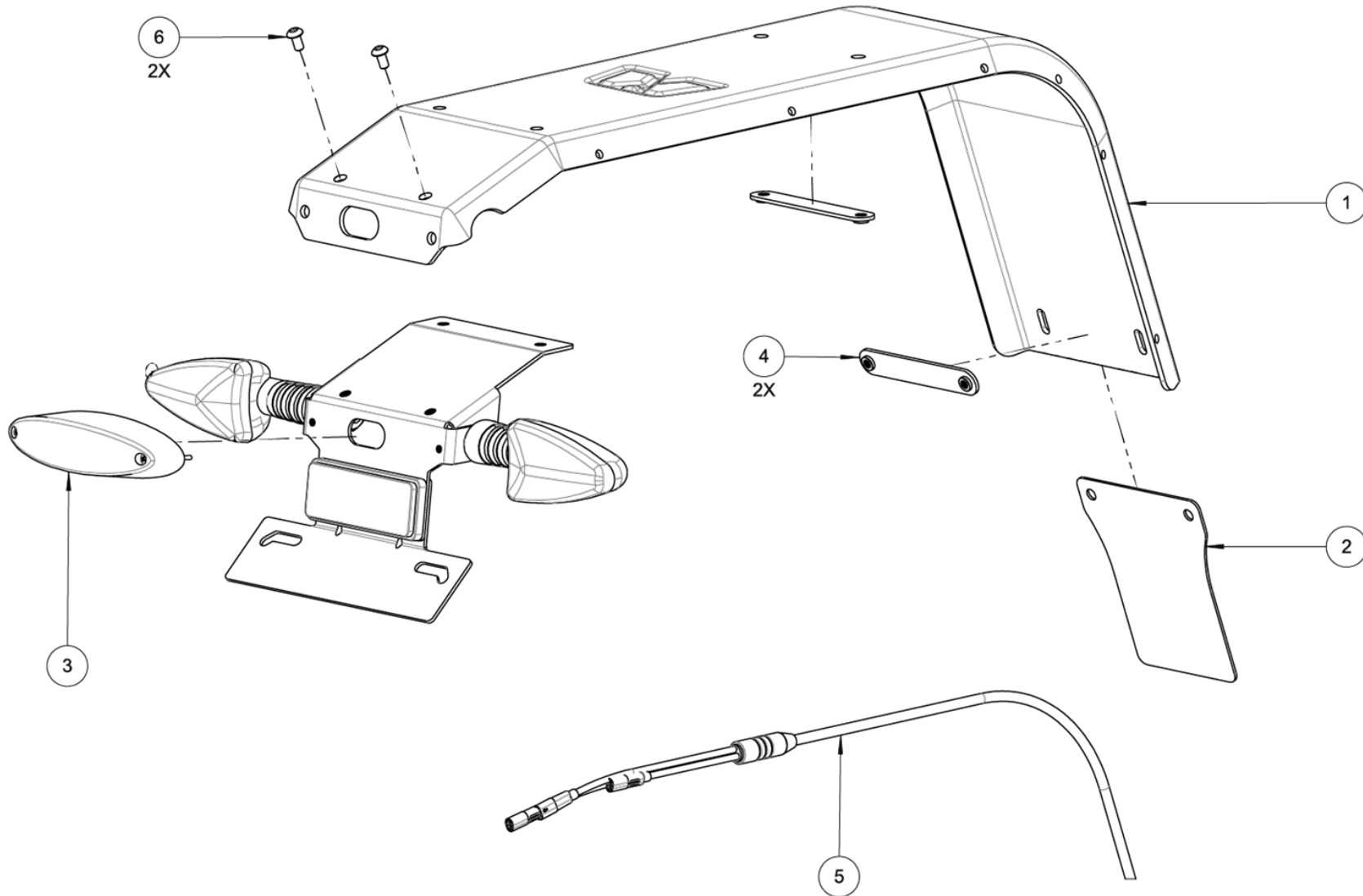


Balloon ID	Description	Part Number (OLD)	Part Number (NEW)
1	Rear Light Bracket	2x2-EA-RLB-003	472-0001923
2	Rear Reflector	2x2-RF-RR-001	417-0001168
3	Indicator G5	2x2-EA-DI-002	417-0001285
4	Number Plate Holder G5 NZ, AUS, US	2x2-EA-NPH-001	472-0001469
5	M6 Nyloc Nut	FAS-NUT-NM6-001	FAS-NUT-NM6-001
6	M6 X 12.5 X 1.2	FAS-SW-6x12.5x1.2-001	FAS-SW-6x12.5x1.2-001
7	M3 X 12 Hex CSK	FAS-HCH-M3L12-001	FAS-HCH-M3L12-001

2X2 ADV – Parts Diagram

UBCO

Rear Mudguard Assembly



2X2 ADV – Parts Diagram

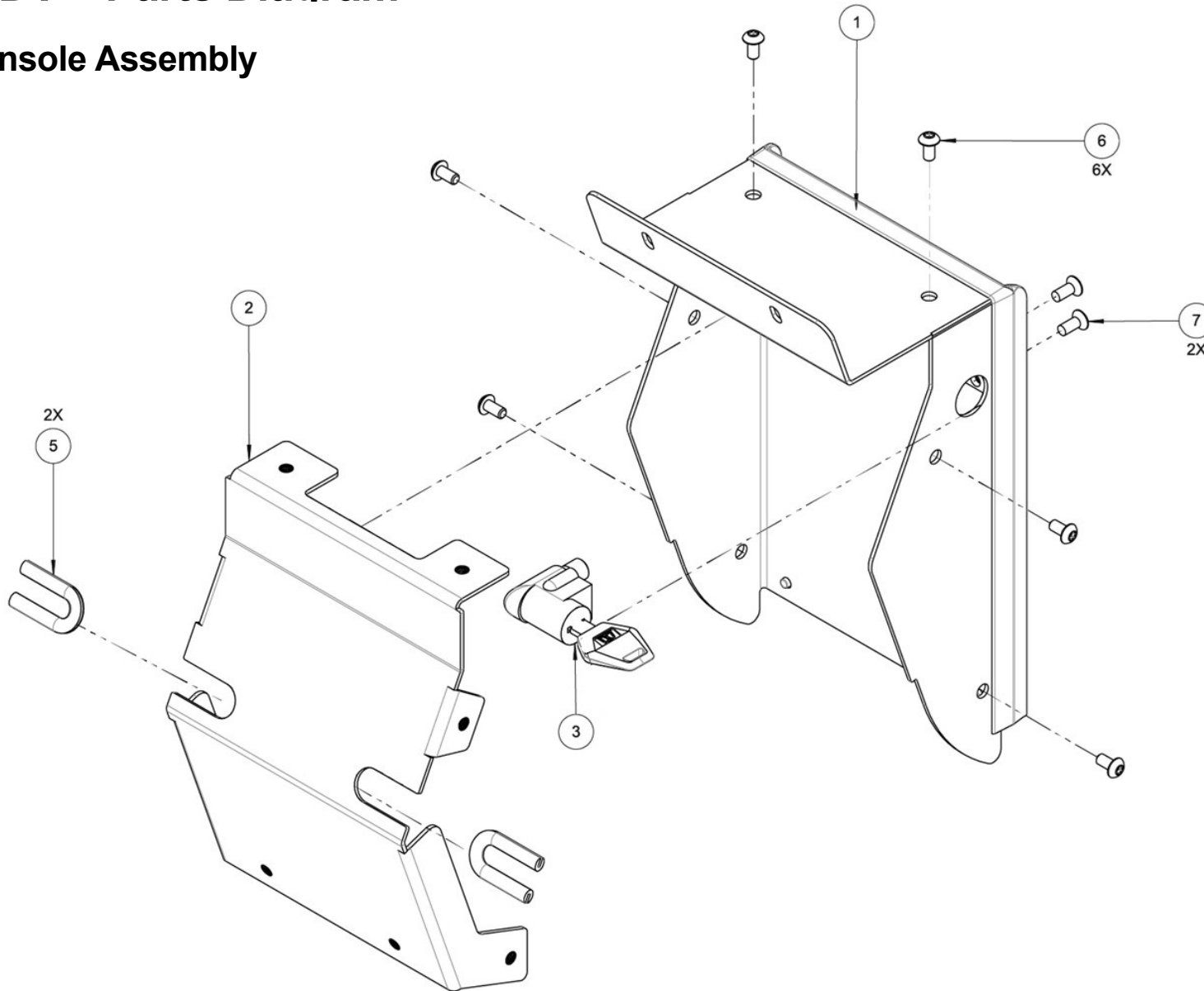


Balloon ID	Description	Part Number (OLD)	Part Number (NEW)
1	Rear Mud Guard	2x2-FG-RMUD-002	417-0001103
2	Swing Arm Mud Flap	2x2-FG-SAMF-001	417-0001311
3	Rear Light G5	2X2-EA-RL-004	242-0001529
4	Rear Mudguard Screw Plate	2x2-FG-RMSP-001	472-0001027
5	Rear Light Harness G5	2x2-EL-RLL-003	920-0001590
6	M5 X 10 Torx Button Head Screw	FAS-TBH-M5L10-001	411-0001108

2X2 ADV – Parts Diagram

UBCO

Rear Console Assembly



2X2 ADV – Parts Diagram

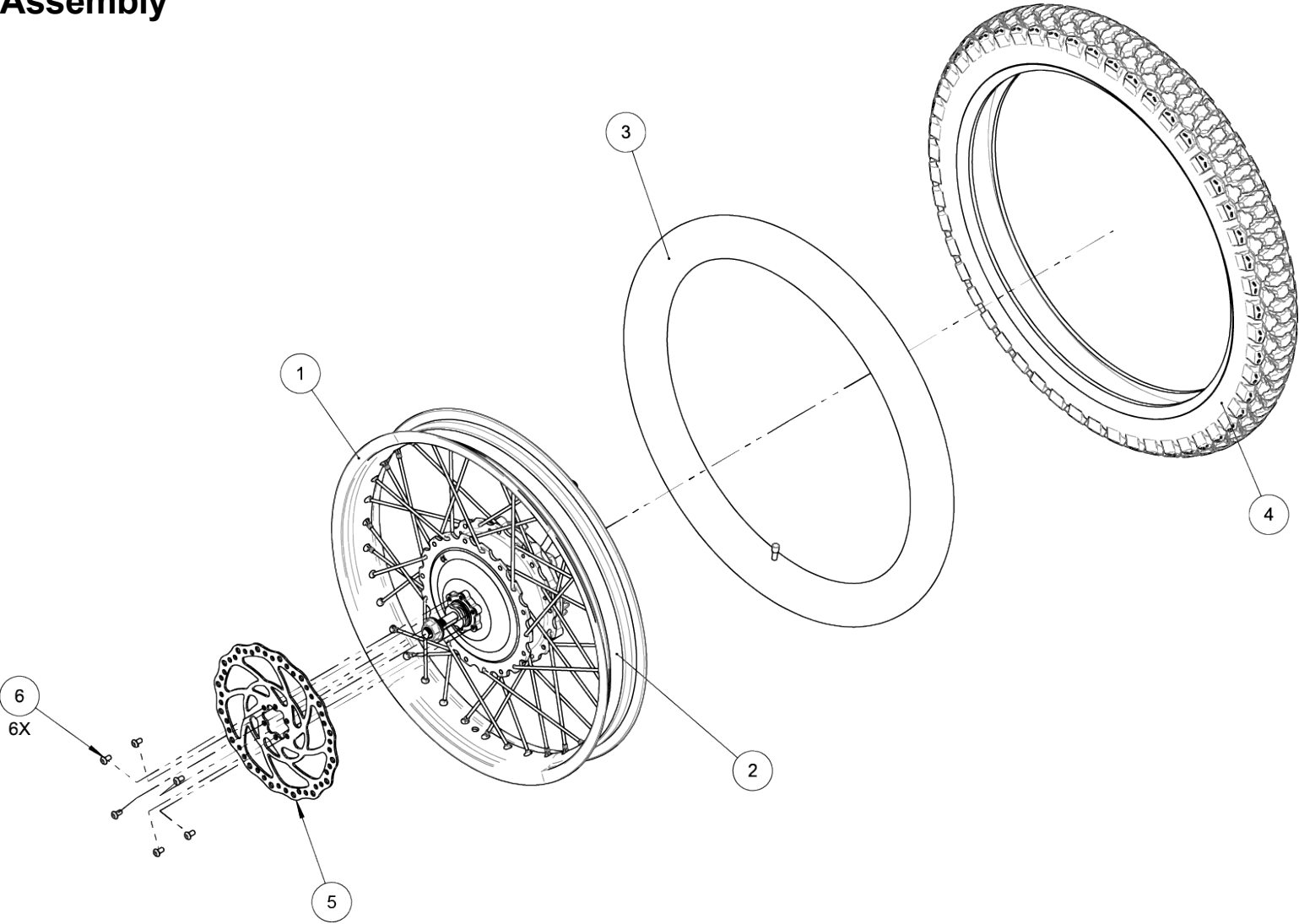


Balloon ID	Description	Part Number (OLD)	Part Number (NEW)
1	Rear Console Cover	2x2-RC-C-003	991-0001581
2	Rear Console Base	2x2-RC-B-003	2x2-RC-B-003
3	Steering Lock	2x2-HS-STL-001	991-0003859
4	Rear Console Weather Seal	2x2-RC-WS-001	417-0001481
5	Cable Exit Edge Trim Rear	2x2-CET-0-001	2x2-CET-0-001
6	M5 X 10 Torx Button Head Screw	FAS-TBH-M5L10-001	411-0001108
7	M5 X 12 Torx Countersink	-	-

2X2 ADV – Parts Diagram

UBCO

Wheel Assembly



2X2 ADV – Parts Diagram

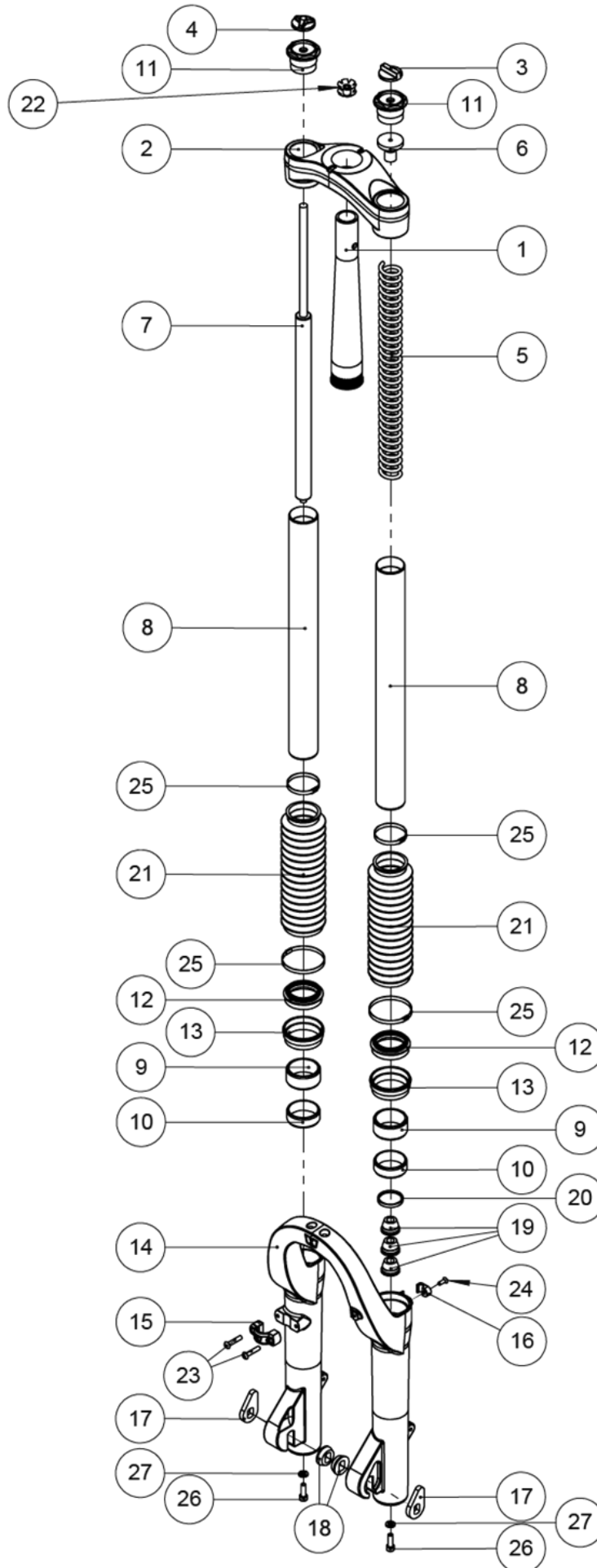


Balloon ID	Description	Part Number (OLD)	Part Number (NEW)
1	Wheel Assembly	2x2-WA-MRS-003 2x2-WA-MRS-005	2x2-WA-MRS-003 991-0001883
2	Rim Tape (1315 x 20mm)	2x2-WA-RT-002	416-0001412
3	Inner Tube 17"	2x2-WA-INT-001	446-0001473
4	Kenda K667 17 X 2.75	2x2-WA-TKEN-001	446-0003911
5	Brake Rotor Tektro 203 X 2.3mm Brake Rotor SR 203 X 2.3mm Brake Rotor Sys 2	2x2-BR-RTR-001 2x2-BR-RTR-002 2x2-BR-RTR-003	2x2-BR-RTR-001 415-0001038 415-0001623
6	M5 X 10 Torx Button Head Screw M5 Shoulder Bolt Sys 2	FAS-TBH-M5L10-001 2x2-BR-BOLT-001	411-0001108 411-0001630

2X2 ADV – Parts Diagram

UBCO

Fork Assembly



2X2 ADV – Parts Diagram

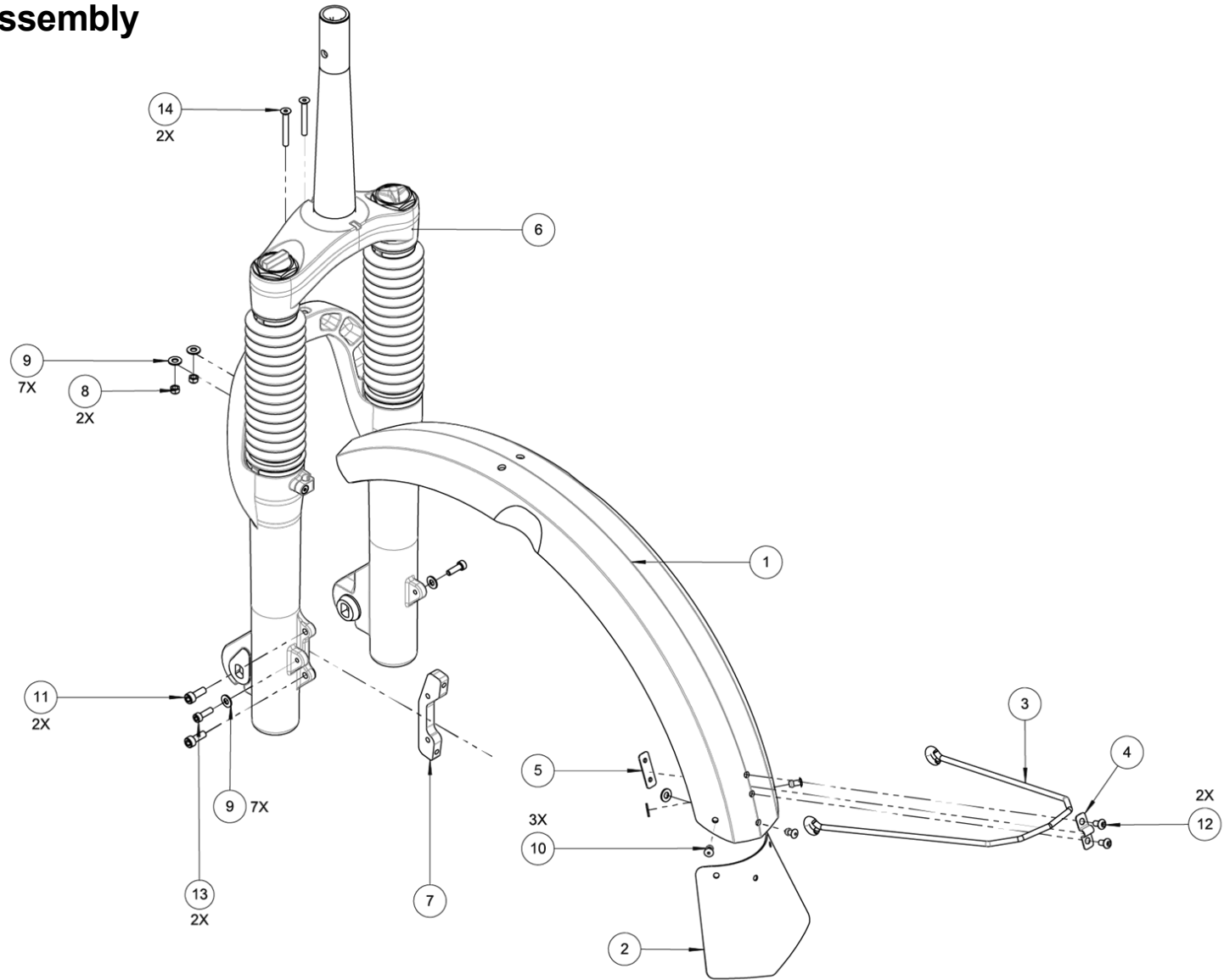


Balloon ID	Description	Part Number (OLD)	Part Number (NEW)
1	Steerer Tube	-	-
2	Fork Crown	-	-
3	Fork Spring Preload Dial	-	-
4	Fork Dampener Dial	-	-
5	Fork Spring	-	-
6	Spring Cap	-	-
7	Fork Damper	-	-
8	Fork Stanchion Tube	-	-
9	Fork Stanchion Bush Top	-	-
10	Fork Stanchion Bush	-	-
11	Fork Stanchion Plug	-	-
12	Fork Stanchion Seal	-	-
13	Fork Boot Adapter	-	-
14	2x2 Fork Lower	-	-
15	Motor Cable Clamp	2x2-FF-MCC-001	452-0001466
16	Fork Brake Cable Clip	2x2-FF-BCC-002	452-0001468
17	Front Torque Arm	2x2-FF-TA-002	415-0001459
18	Axle Bush	2x2-FF-FAB-001	415-0001476
19	Fork Rubber Stopper	-	-
20	Captive Spring Plate	-	-
21	Fork Stanchion Rubber Boot	2x2-FF-RB-002	446-0001433
22	Star Nut 23.5 OD, For 22mm ID Tube	2x2-HS-SN-002	457-0001455
23	M5 X 25 Socket Cap Screw	FAS-HBH-M5L25-001	FAS-HBH-M5L25-001
24	M4 X 12 Hex CSK Screw	2x2-MA-RADS-001	411-0001179
25	Steel Cable Tie 300mm	2x2-SCT-300-001	467-0001200
26	M6 X 18 Hex Socket Head	-	-
27	M6 X 12 X 1.2 Washer	FAS-SW-6x12.5x1.2-001	FAS-SW-6x12.5x1.2-001

2X2 ADV – Parts Diagram

UBCO

Fork Mudguard Assembly



2X2 ADV – Parts Diagram

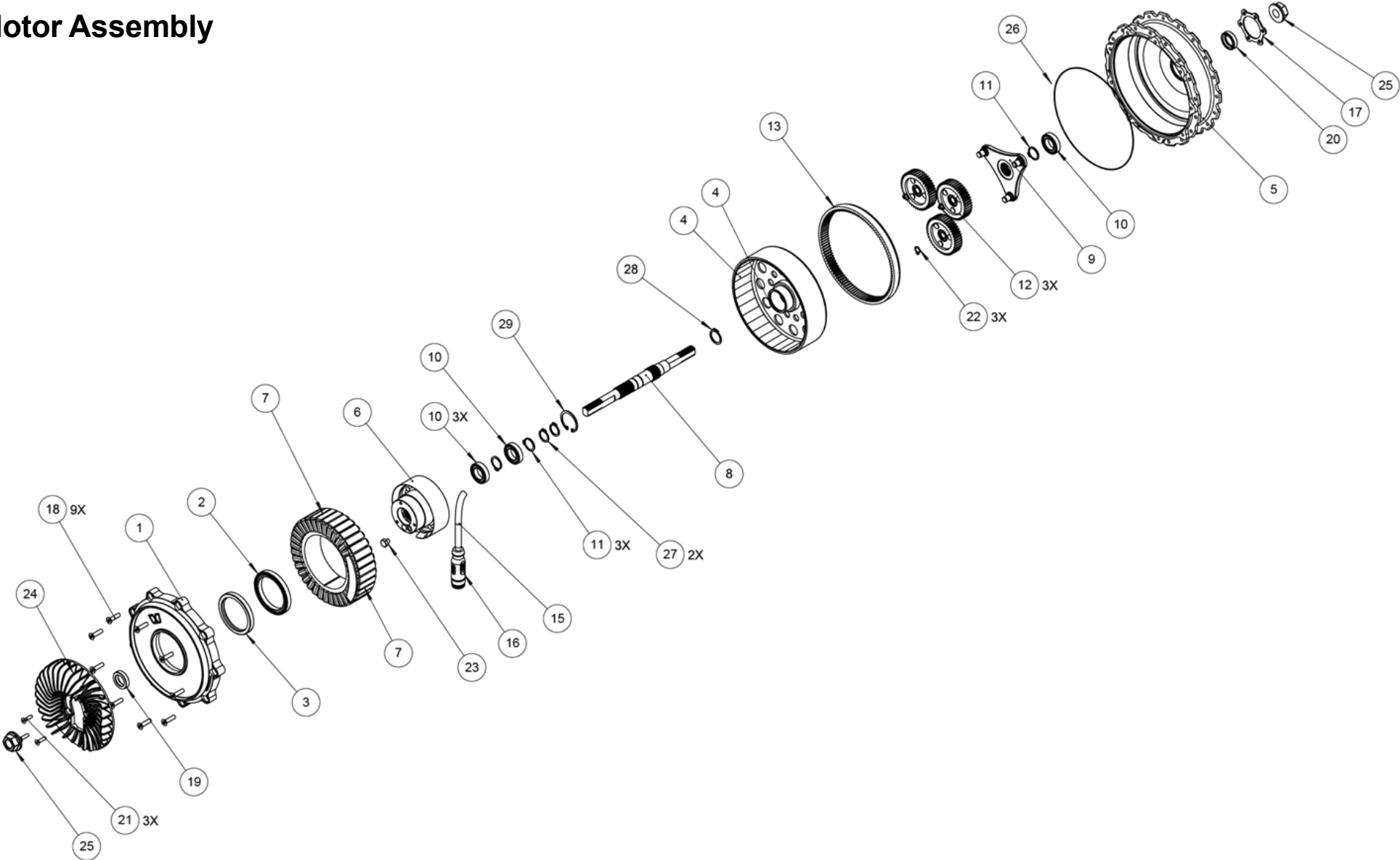


Balloon ID	Description	Part Number (OLD)	Part Number (NEW)
1	Front Mud Guard	2x2-FG-FMUD-002	417-0001074
2	Mud Flap Front	2x2-FG-FMF-002	417-0001075
3	Front Mud Guard Stay	2x2-FG-FMS-001	2x2-FG-FMS-001
4	Front Mud Guard Stay Bracket A	-	-
5	Front Mud Guard Stay Bracket B	-	-
6	Fork Tektro/SR Fork Sys 2	2x2-FF-F-004 2x2-FF-F-005	991-0001386 991-0001782
7	Front Brake Adapter Tektro Front Brake Adapter SR Front Brake Adapter Sys 2	2x2-BR-FBA-002 2x2-BR-FBA-004 2x2-BR-FBA-005	2x2-BR-FBA-002 415-0001508 415-0001620
8	M5 Nyloc Nut	FAS-NUT-NM5-001	FAS-NUT-NM5-001
9	M6 X 12 X 1.2 Washer	FAS-SW-6x12.5x1.2-001	FAS-SW-6x12.5x1.2-001
10	Blind Rivet 5X12	-	-
11	M6 X 16 Hex Cap Head	FAS-HCA-M6L16-001	411-0001184
12	M5 X 10 Torx Button Head Screw	-	-
13	M5 X 16 Hex Socket Head	-	-
14	M5 X 40 Hex Countersink Screw	-	-

2X2 ADV – Parts Diagram

UBCO

Motor Assembly



2X2 ADV – Parts Diagram



Balloon ID	Description	Part Number (OLD)	Part Number (NEW)
1	Case (Non-Disc Side)	2x2-MA-MMC-002	422-0001223
2	Case Bearing 61810-2RS	2x2-MA-LBRG-002	450-0001018
3	Case Radial Seal 50X62X7	2x2-MA-LRS-001	401-0001056
4	Rotor Assembly	2x2-MA-RA-002	422-0001222
5	Case (Disc Side)	2x2-MA-MMC-002	422-0001223
6	Stator	2x2-MA-STA-002	422-0001224
7	Winding Assembly	2x2-MA-WA-002	991-0001254
8	Axle Splined	2x2-MA-AX-003	415-0001061
9	Gear Frame Assembly	2x2-MA-GF-003	415-0003423
10	Case Bearing 61903-2RS	2x2-MA-SBRG-001	450-0001016
11	External Circlip 17 X 1	2x2-MA-ACL-001	467-0001199
12	Planetary Gear Single	2x2-MA-PGES-002	417-0001081
	Planetary Gear Set	2x2-MA-PLGE-001	991-0001266
13	Annulus Gear	2x2-MA-RG-001	415-0001087
15	Motor Cable	2x2-MA-MEC-001	920-0001561
16	Motor Cable Connector Male	2x2-MA-MEC-001	920-0001561
17	Brake Disc Spacer - 1.9mm	2x2-MA-BRS-002	2x2-MA-BRS-002
	Brake Disc Spacer - 0.9mm	2x2-MA-BRS-003	2x2-MA-BRS-003
	Brake Disc Spacer - 2.5mm	2x2-MA-BRS-004	415-0001089
	Brake Disc Spacer Sys 2	2x2-MA-BRS-005	415-0001621
18	M5 X 17 Torx Countersink	2x2-MA-MCS-003	411-0001189
19	Radial Seal 14X26X6	2x2-MA-RS-001	401-0001050
20	Radial Seal 16X26X6	2x2-MA-SRS-002	401-0001044
21	M4 X 12 Hex Countersink	2x2-MA-RADS-001	411-0001179
22	External Circlip 8 X 0.8	2x2-MA-PGCC-001	467-0001202
23	M6 Breather Vent	2x2-MA-Vent-001	446-0001048
24	Motor Radiator	2x2-MA-RAD-002	415-0001167
25	M14 Serrated Flanged Nut	2x2-WA-WN-001	433-0001157
26	Motor Case O-Ring	2x2-MA-ORNG-001	435-0001012
27	External Circlip 16 X 1	2x2-MA-ACL-002	467-0001204
28	External Circlip 19 X 1	2x2-MA-ACL-003	2x2-MA-ACL-003
29	Internal Circlip	2x2-MA-RCL-001	467-0001203

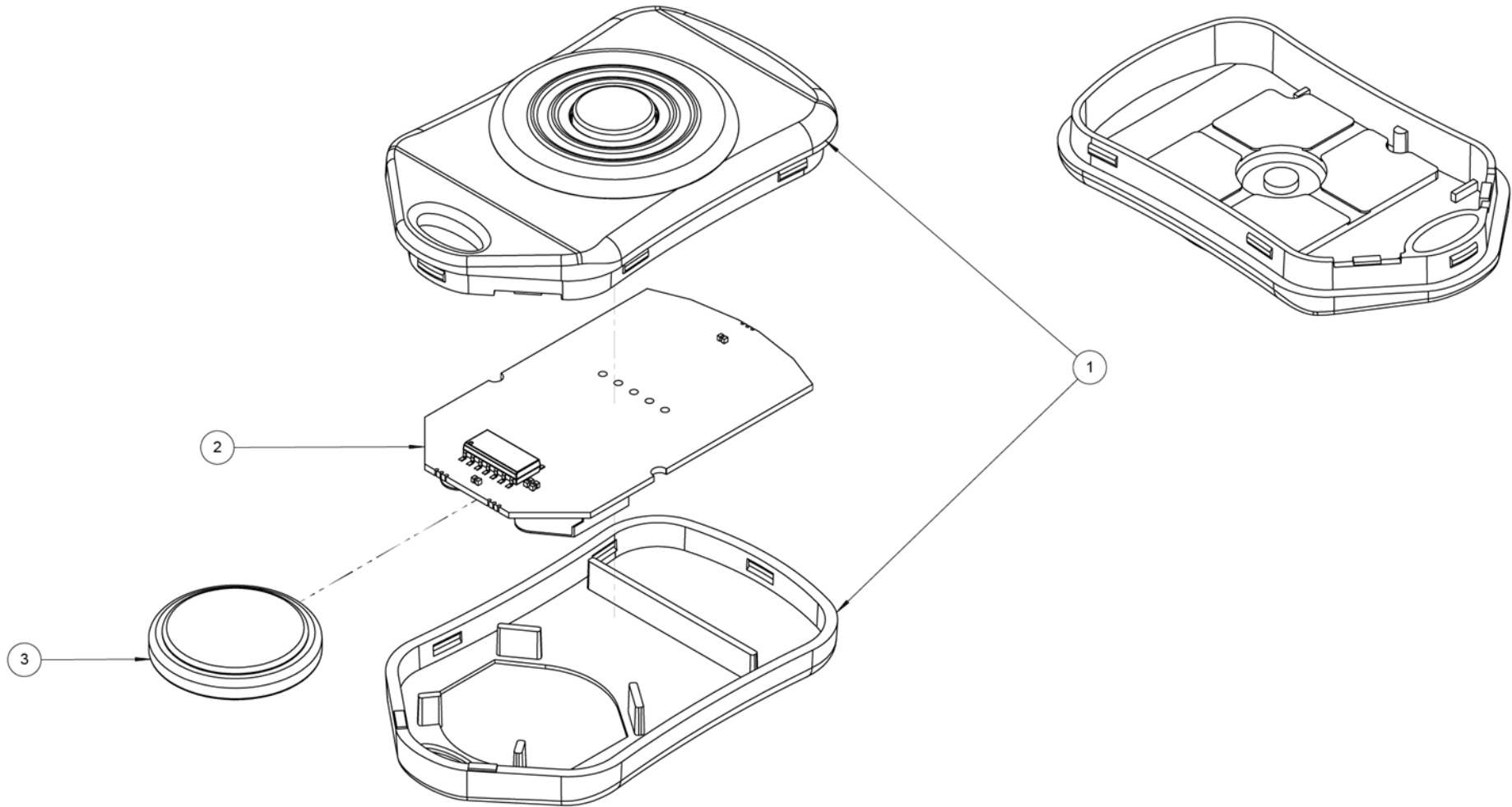
2X2 ADV – Parts Diagram

UBCO

2X2 ADV – Parts Diagram

UBCO

Key Fob Assembly



2X2 ADV – Parts Diagram



Balloon ID	Description	Part Number (OLD)	Part Number (NEW)
1	Fob Housing Polycase	2x2-FOB-CS-001	2x2-FOB-CS-001
2	Fob PCBA	2x2-FOB-PCBA-001	913-0003281
3	CR2032 Button Cell	-	-
-	Fob Cover Silicone	2x2-FOB-C-001	2x2-FOB-C-001
-	Fob Complete G5	2x2-FOB-0-001	2x2-FOB-0-001
-	Fob Complete G5.1	2x2-FOB-0-002	991-0003282